

SEGA

SERVICE BULLETIN

SEGA Service Department
45133 Industrial Drive
Fremont, Ca. 94538

<http://www.seuservice.com>
Phone: 415.701.6580
Fax: 415.701.6594



This bulletin effects ALL Brave Fire fighter games.

PROBLEM: Hose is failing due to excessive wear/bending of tube assy.

SOULUTION: Replace Hose with modified High Tension Hose to prevent failure.

NOTE: To perform work, a Phillips screwdriver, wrench for M3 Nut, wrench for M4 Nut, wrenches for hexagonal nut (width across flats 14&50mm) and a Hexagonal wrench (width across flats 2mm) are needed. When the wrench width across flats 50mm is not available, use an alternative Pliers that can pinch the same size of the nut.

1. Turn power off for safety.
2. Take off 4 truss screws and remove the removable side of the Panel Lid from the Control Cabinet.
3. Take off a screw from the inside where panel Lid is removed to take off a Shoulder Pin.
4. Disconnect the connector from the Inner Hose Bracket.
5. Take off 4 Flange Nuts to remove the Inner Hose Brackets A and B from the Control Cabi. At this time, remove Earth Terminal fastened by the Nut.
6. Take off 2 screws, loosen a Hexagon bolt, and seperate Inner hose Bracket A from B. When reassembling, match the notch portion of the Inner Hose Bracket A&B anf Nut fastening part's flat surface.
7. Take off the Nut which secures the Hose to remove the Nozzle Controller together with the hose from the Control Cabinet.
8. Take off 2 set screws to remove the hose from the Nozzle controller.

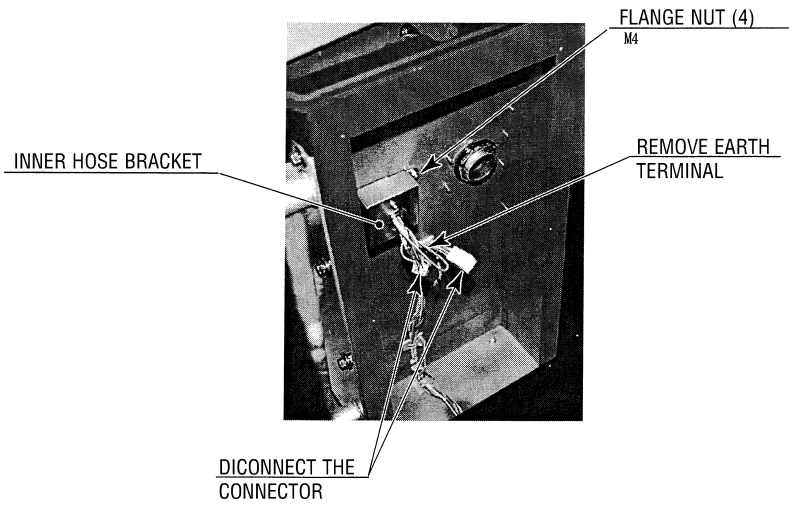
NOTE IT IS NOT NECESSARY TO DISSASSEMBLE THE NOZZLE CONTROLLER.

9. Then carefully withdraw the wireharness through the Hose Assy.
10. When installing the new Hose it might be beneficial to tape or otherwise secure the wire bundle together to ensure it does not catch on anything or become damaged in any way.
11. Reapeat process in reverse order to reassemble.

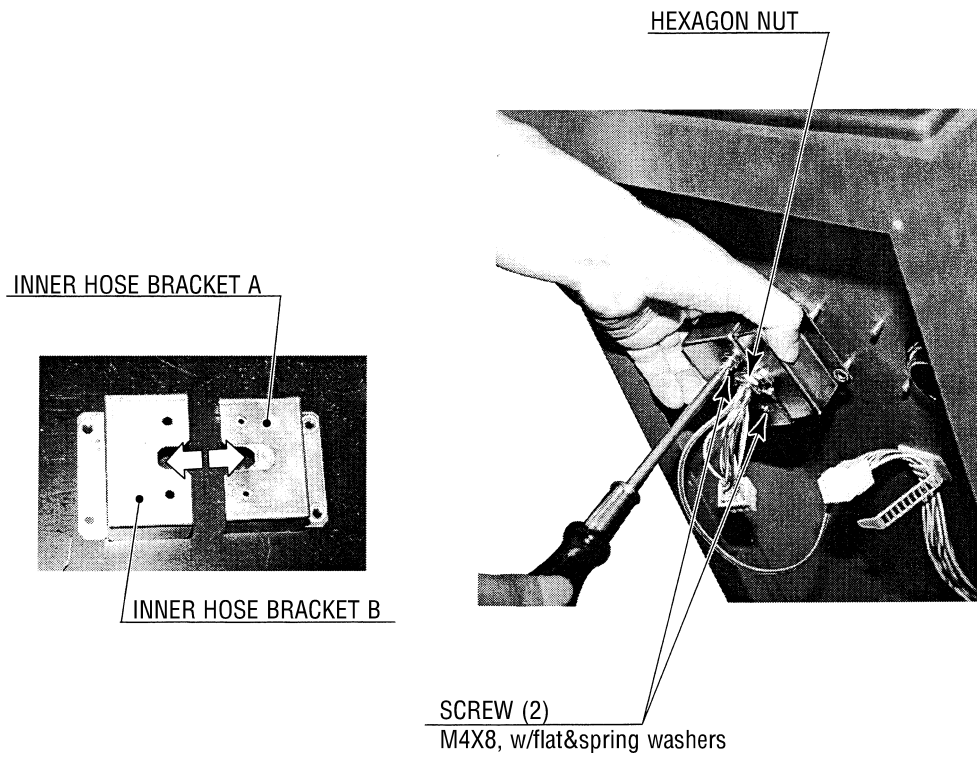
- #1-5 refer to graphic (A) on the following page.
- #6 refer to graphic (B) on the following page.
- #7 refer to graphic (C) on the following page.
- #8 refer to graphic (D) on the last page.

If you have any questions please contact the SEGA Service Department at the numbers given above.

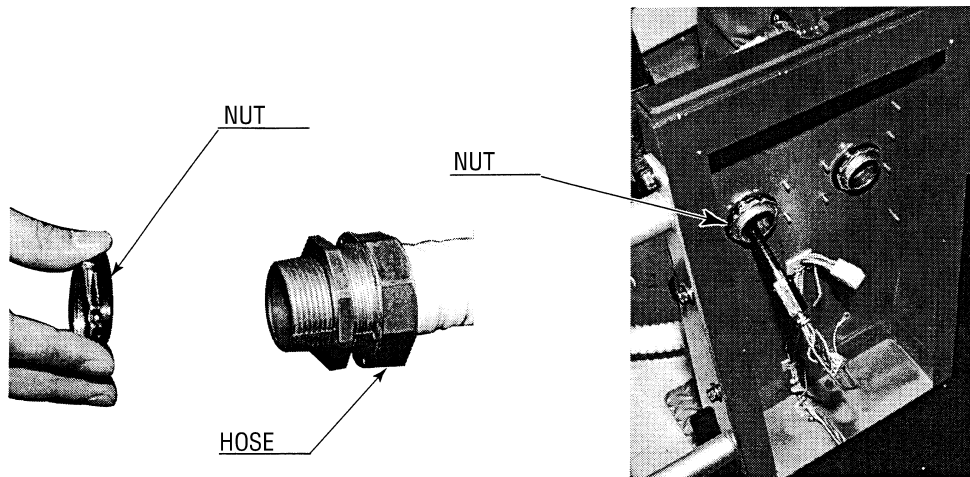
(A)



(B)



(C)



(D)

SET SCREW (2)
M4 × 6

NOZZLE CONTROLLER

HOSE

