

1st Printing  
June 2000

# SEGA™



DX TYPE

**ADDENDUM to the OWNER'S MANUAL**  
**Pages #9, #83, #109, #110, #149, #150**



**PART NO. 999-0968**  
**USE WITH MANUAL NO. 420-6575**



## **Warranty**

Your new Sega Product is covered for a period of 90 days from the date of shipment. This certifies that the Printed Circuit Boards, Power Supplies and Monitor are to be free of defects in workmanship or materials under normal operating conditions. This also certifies that all Interactive Control Assemblies are to be free from defects in workmanship and materials under normal operating conditions. No other product in this machine is hereby covered.

Sellers sole liability in the event a warranted part described above fails shall be, at its option, to replace or repair the defective part during the warranty period. For Warranty claims, contact your Sega Distributor.

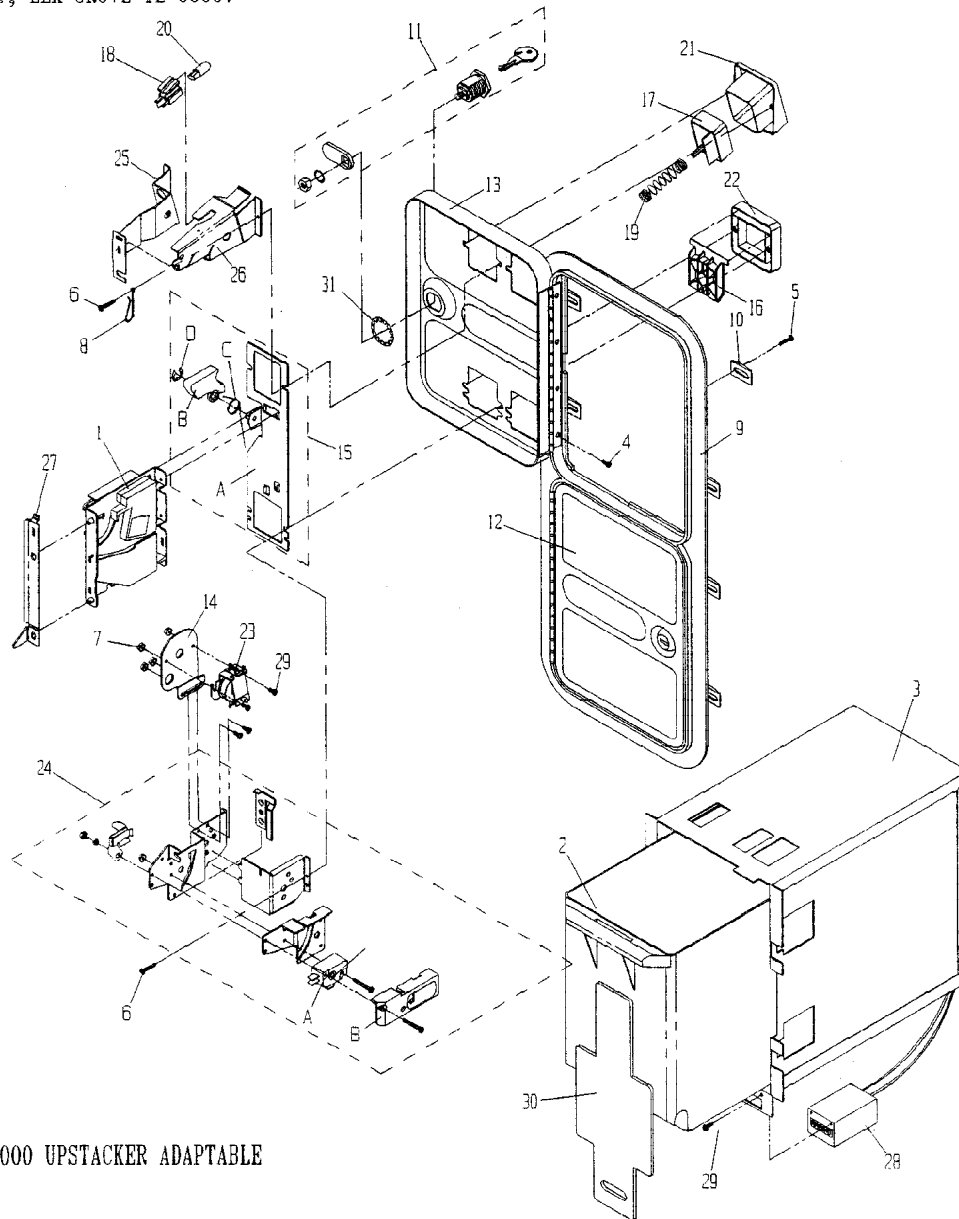
Should the Seller determine, by inspection that the product was caused by Accident, Misuse, Neglect, Alteration, Improper Repair, Installation or Testing, the warranty offered will be null and void.

Under no circumstances is the Seller responsible for any loss of profits, loss of use, or other damages.

This shall be the exclusive written Warranty of the original purchaser expressed in lieu of all other warranties expressed or implied. Under no circumstance shall it extend beyond the period of time listed above.

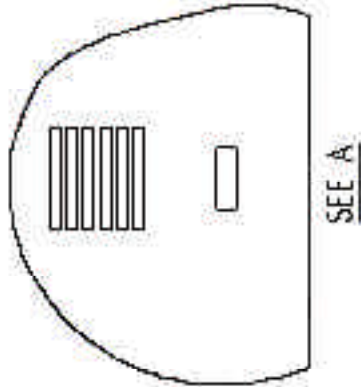
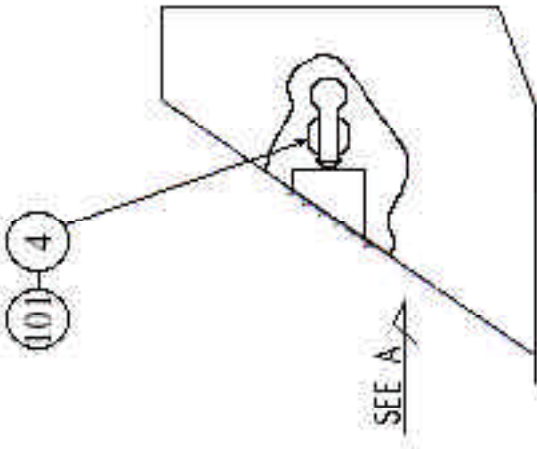
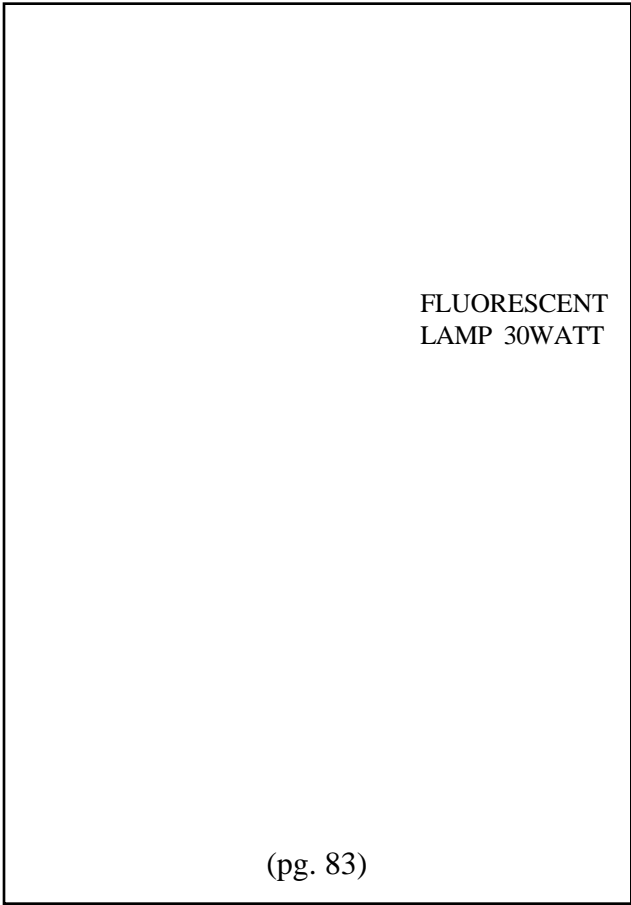
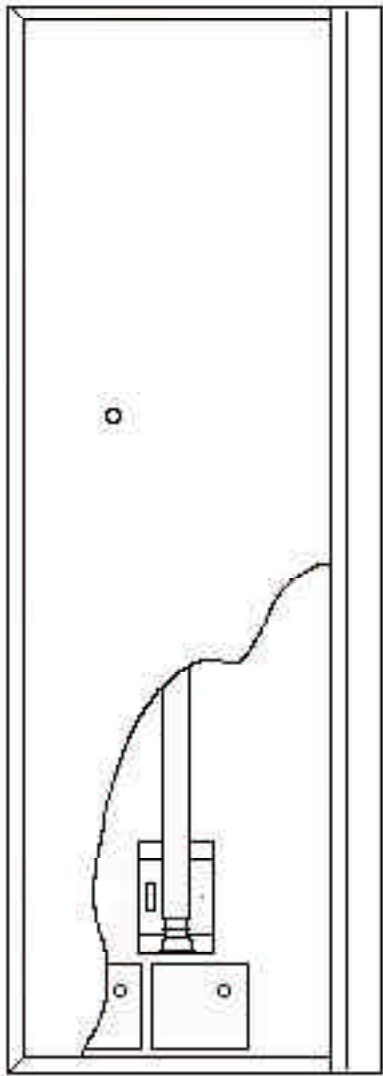


1850 HOWARD ST., ELK GROVE IL 60007  
(847) 228-1810



\* MARS SERIES 2000 UPSTACKER ADAPTABLE

PART #	DESCRIPTION	COST	PART #	DESCRIPTION	COST	PART #	DESCRIPTION	COST
1)	12-4050-1X S-10 ACCEPTOR	19.50	16)	91-1109-16 REJECT FLAP NYLON, BLACK	2.70	28)	23-1011-00 12V DC METER	8.50
	12-4150-011 S-7 US & 25	12.00	17)	91-1113-01 ENTRY/REJECT BUTTON 25c	4.45		23-1103-00 4.5V DC METER	8.50
2)	20-4177-00 PLASTIC CASEBOX	7.40	18)	91-1117-00 LAMPHOLDER	1.40	29)	90-1032-01 METER & LOCKOUT SCREW	.25
3)	20-4189-00 ENCLOSURE, Z2000	27.50	19)	91-1121-00 E/R BUTTON SPRING	.80	30)	22-1400-00 LOCKING BAR	7.00
4)	90-1002-00 HINGE SCREW	.25	20)	91-1118-00 6V LAMP WEDGE BASE	.95	31)	90-1019-00 3/4" LOCKWASHER	.25
5)	90-1003-00 CLAMP SCREW	.95	21)	91-1311-16 BUTTON BEZEL BLACK	2.70			
6)	90-1017-00 SCREW BEZEL NYLON	.25	22)	91-1312-16 REJECT BEZEL BLACK	2.70			
7)	90-1206-02 #4-40 KEP NUT	.25	23)	91-2125-00 12V LOCKOUT COIL ASSEMBLY	12.85			
8)	90-1300-00 KEYBOOK	.35	24)	91-2216-16 MICROSWITCH ASSEMBLY	15.00			
9)	91-0508-16 FRAME	30.00	24A)	91-1116-16 MICROSWITCH BLACK	5.40			
10)	91-0506-00 CLAMP	.45		91-1116-11 MICROSWITCH WHITE	5.40			
11)	91-0547-00 DOUBLE D CAM LOCK	5.25		91-1116-10 MICROSWITCH RED	5.40			
12)	91-0603-16 BLACK MINI DOOR	8.40	24B)	91-1125-00 MICROSWITCH PLASTIC COVER	.85			
13)	91-0604-16 2 ENTRY UPPER DOOR	10.00	25)	92-1002-01 COIN INLET LAMP SIDE	1.80			
14)	91-1008-039 LOCKOUT BRACKET	4.30	26)	92-1002-021 COIN INLET COVER SIDE	1.80			
15)	91-1008-107 BASEPLATE ASSEMBLY	5.00	27)	92-1002-10 HOLD DOWN BRACKET	1.50			



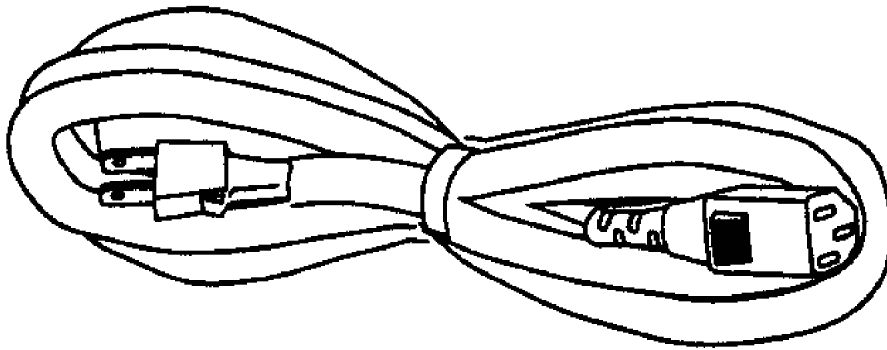
(pg. 109)

⑤ ASSY BILLBOARD (POD-0520)

ITEM NO.	PART NO.	DESCRIPTION
1	POD-0521	BILLBOARD BOX
2	POD-0522	BILLBOARD PLATE POD DX
3	POD-0523	BILLBOARD SASH
<b>4</b>	<b>Local Purchase</b>	<b>30W 36" FLUORESCENT FIXTURE</b>
5		Locally supplied.
6	440-WS0002XEG	STICKER W POWER OFF ENG
7	440-WS0012XEG	STICKER W HIGH TEMP ENG
<b>101</b>	<b>Local Purchase</b>	<b>30W 36" FLUORESCENT LIGHT</b>
102	280-5275-SR10	CORD CLAMP SR10
201	000-T00408-OB	M SCR TH BLK M4 X 8
202		Locally supplied.
203		Locally supplied.

(pg. 110)

AC Cable (Power Cord)  
Local Purchase (1) USA  
Used for installation,  
see **4** of Section 6.



(pg. 9)



Location: <http://www.segaservice.com/>

What's Related

# SEGA SERVICE

Search criteria:

- parts •
- boards •
- monitors •
- distributors •

- [what's new](#)
- [manuals](#)
- [bulletins](#)

[staff](#)  
[Dan's Office](#)

- [corporate info](#)
- [technical service](#)
- [customer service](#)

- [site map](#)
- [plugins](#)
- [home page](#)

[get mailing list](#)

Best viewed  
@ 800x600



Sega Enterprises Inc.,  
USA  
Service Department  
phone 415.701.8500  
fax 415.701.8594



- customer service
- technical service
- game manuals
- parts lists
- latest news

© Sega Enterprise Inc., USA. All rights reserved.

[\[what's new\]](#)[\[manuals\]](#)[\[bulletins\]](#)[\[staff\]](#)[\[Dan's office\]](#)  
[\[technical service\]](#)[\[customer service\]](#)[\[corporate info\]](#)[\[sitemap\]](#)[\[plugins\]](#)





**SEGA ENTERPRISES, INC. (USA)**

45133 Industrial Drive  
Fremont, CA 94538  
**(415) 701-6580** phone  
**(415) 701-6594** fax