

5	WHITE	B	SKY BLUE	G	AWG18 UL1007
4	GREEN	A	PINK	U	AWG16 UL1015
3	YELLOW	9	GRAY	K	AWG18 UL1015
2	BLUE	8	BLACK	L	AWG20 UL1007
1	RED	7	ORANGE	C	AWG22 UL1007

ALTERATION

WIRE COLOR

AWG SIZE

27/Aug/04	Y Sato
MKC-0000-01	TOP ASSY

SUNWORKS SUNWORKS CO.,LTD

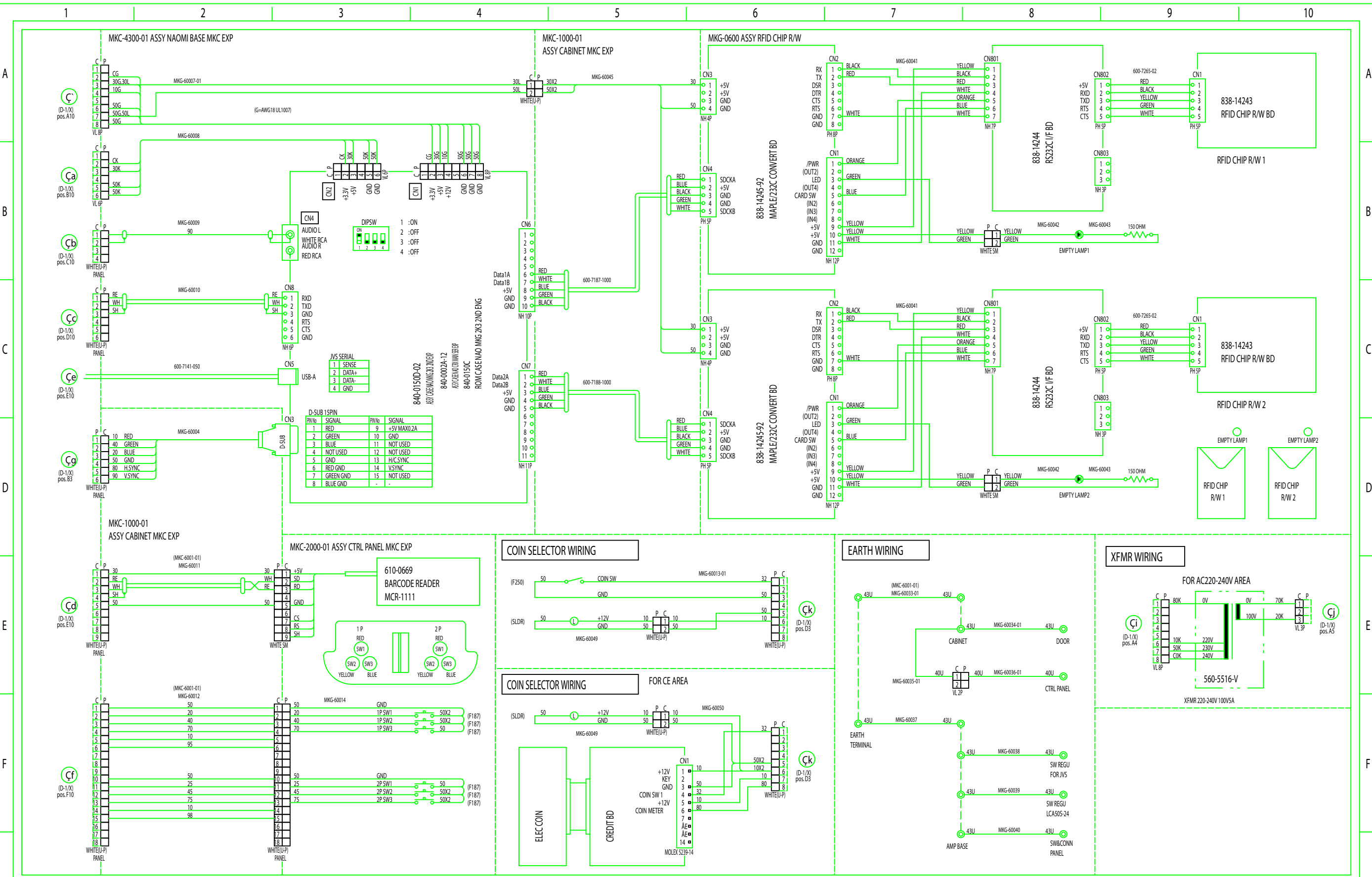
TOP ASSY MKC EXP CABI OEM

DC-0093-UK(1/X)

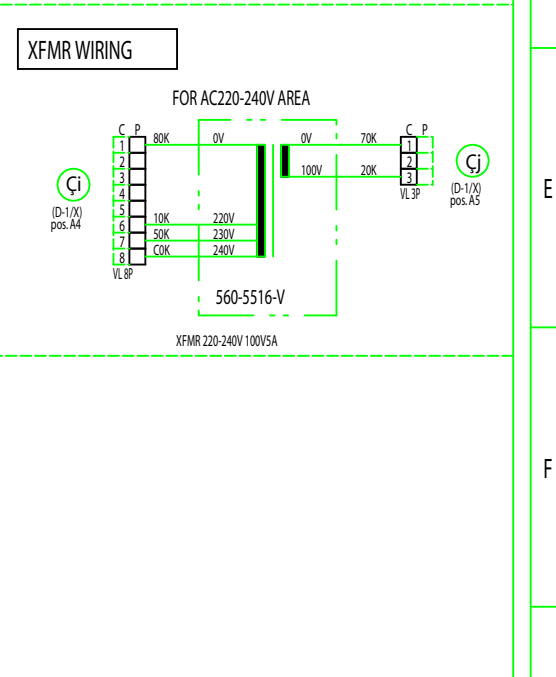
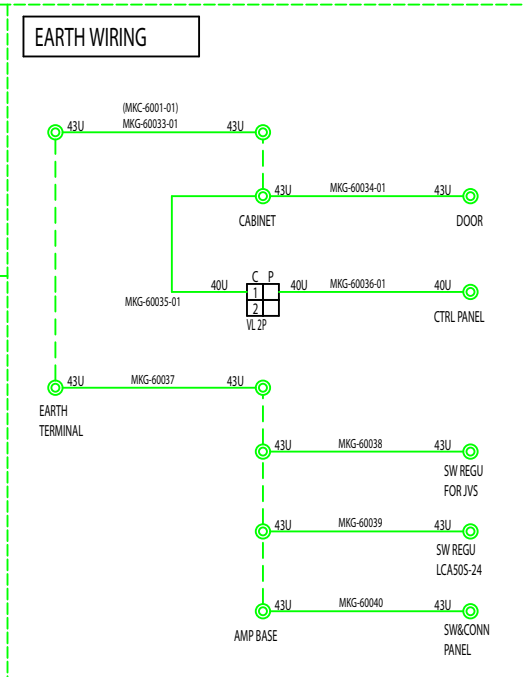
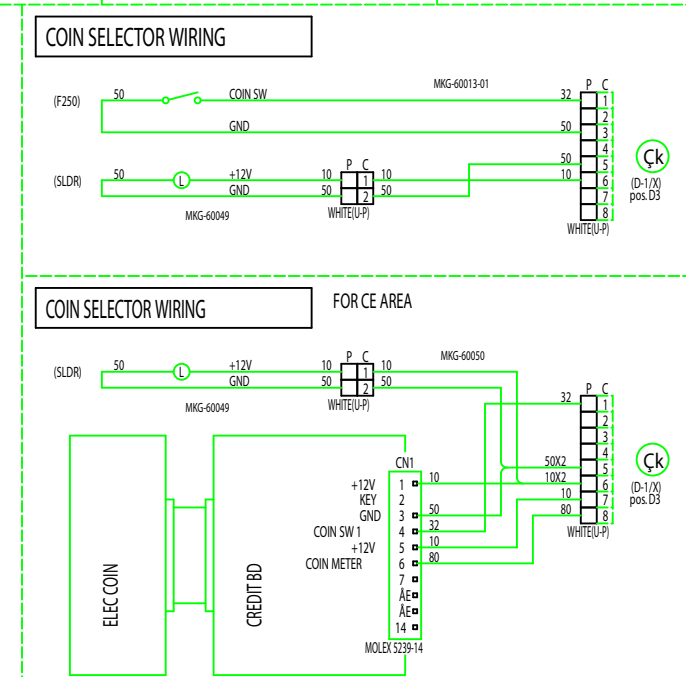
DESCRIPTION

DIAGRAM No.

REV



5	WHITE	B	SKY BLUE	U	AWG16 UL1015	èa	27/Aug/04	äü	è?	SUNWORKS SUNWORKS CO.,LTD TOP ASSY MKC EXP CABI OEM DC-0093-UK(2/2)	REV
4	GREEN	A	PINK	K	AWG18 UL1015	èb	Ysato	èj	if		DIAGRAM No.
3	YELLOW	9	GRAY	E	LIGHT GREEN						
2	BLUE	8	BLACK	D	PURPLE						
1	RED	7	ORANGE	C	BROWN						



ALTERATION	
1	
2	

WIRE COLOR	
5	WHITE
4	GREEN
3	YELLOW
2	BLUE
1	RED

AWG SIZE	
U	AWG16 UL1015
K	AWG18 UL1015
L	AWG20 UL1007
	AWG22 UL1007

SUB ASSY	
TOP ASSY	MKC-0000-01

DESCRIPTION	
DIAGRAM No.	DC-0093-UK(2/2)