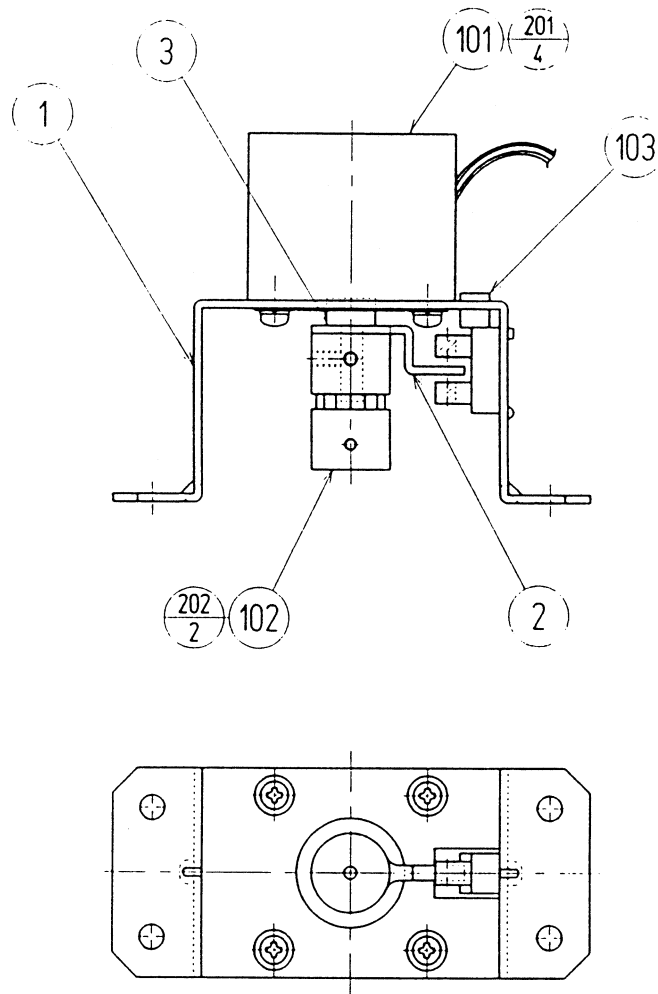


ASSY ACTUATOR (RCS-3350)



ITEM NO.	PART NO.	DESCRIPTION
1	RCS-3351	MOTOR BRKT
2	RCS-3352	SENSOR BLADE
3	RCS-3353	COLLAR
101	350-5550	MOTOR PULSE DC 12V
102	111-0055	COUPLING
103	370-5122	PHOTO INTERRUPTER GP1A73A
201	000-P00308-W	M SCR PH W/FS M3X8
202	028-A00306-P	SET SCR HEX SKT CUP P M3X6