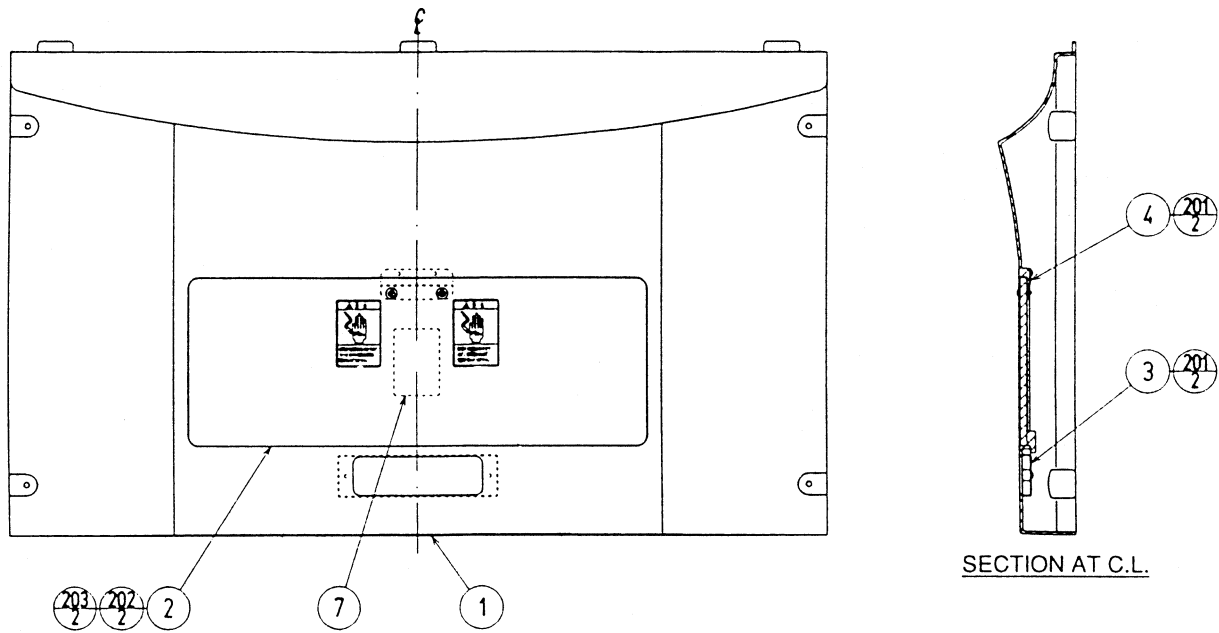


ASSY FRONT PANEL (RCS-1300)



SCREW FASTENING TORQUE TO BE
M4 : 18 [kgf-cm]

ITEM NO.	PART NO.	DESCRIPTION
1	RCS-1301	FRONT PANEL
2	ASK-1302	PTV LID
3	ASK-1303	HOLE COVER
4	ASK-1304	LID BRKT
201	012-P00410	TAP SCR #2 4X10
202	000-T00416-0C	M SCR TH CRM M4X16
203	068-441616-0C	FLT WSHR CRM 4.4-16X1.6