

WIRE COLOR	
8	BLACK
7	ORANGE
5	WHITE
4	GREEN
3	YELLOW
2	BLUE
1	RED
E	LIGHT GREEN
D	PURPLE
C	BROWN
B	SKY BLUE
A	PINK
9	GRAY
43	EARTH WIRE
U	AWG26 UL1015
K	AWG24 UL1015
L	AWG20 UL1007
	AWG22 UL1007

SEGA

SEGA ENTERPRISES, LTD.

SEGA ENTERPRISES, INC USA

54133 Industrial Drive Fremont, CA 94538 phone 415-701-6580

ACAD FILE: D X GAME: HOUSE OF DEAD 3 STD SHEET: 1/X
 DATE: 3-4-02 TITLE: WIRING DIAGRAM

4

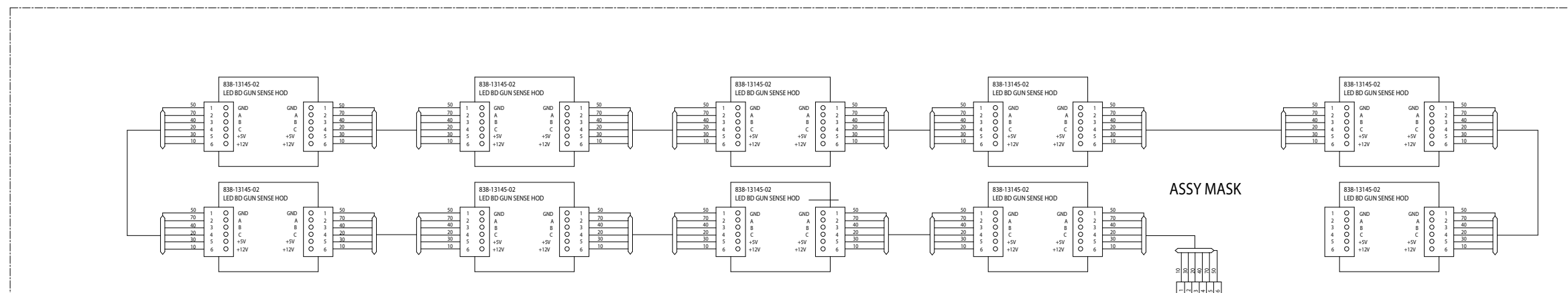
3

2

1

D

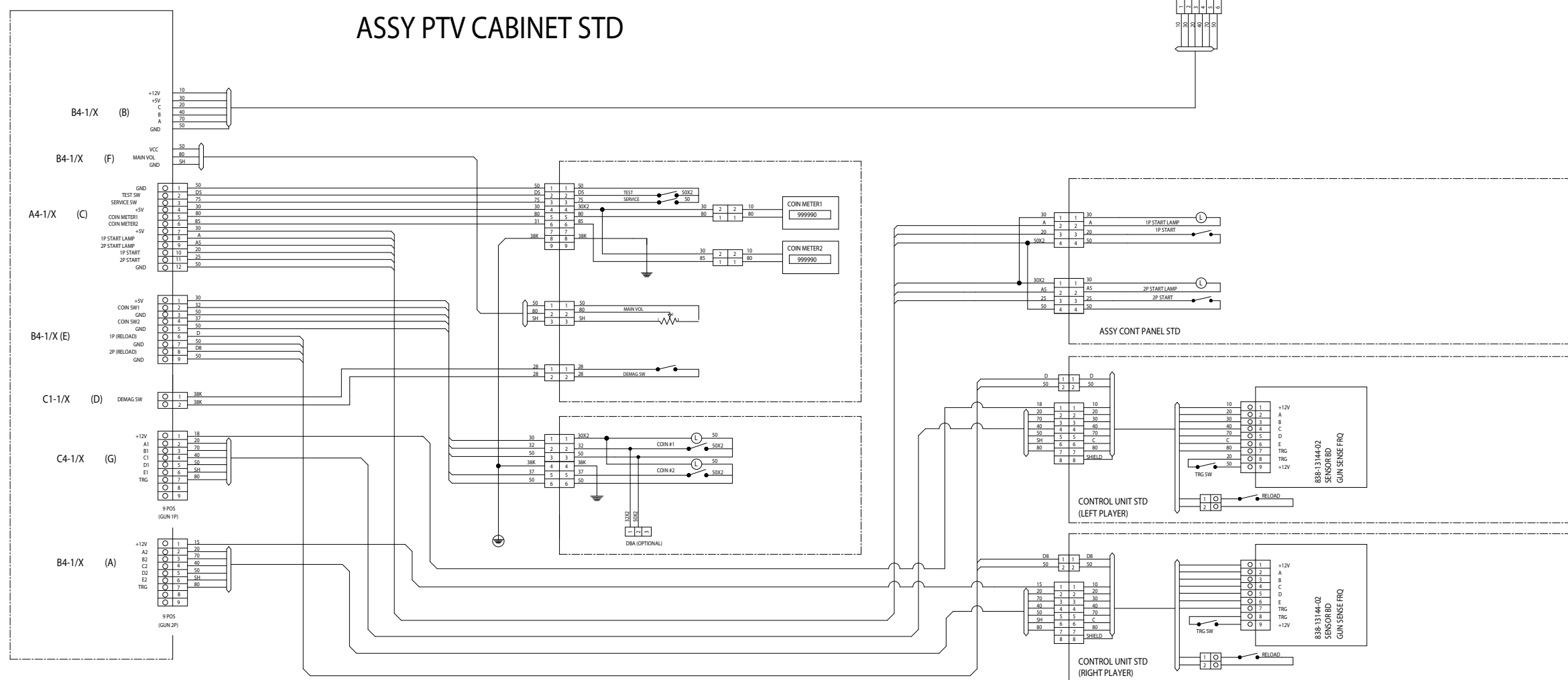
D



C

C

ASSY PTV CABINET STD



B

B

A

A

8	BLACK	E	LIGHT GREEN	
7	ORANGE	D	PURPLE	43
5	WHITE			EARTH WIRE
4	GREEN	C	BROWN	U
3	YELLOW	B	SKY BLUE	X
2	BLUE	A	PINK	L
1	RED	9	GRAY	AWG20 UL1007
				AWG22 UL1007

SEGA

SEGA ENTERPRISES, LTD.

SEGA ENTERPRISES, INC. (USA)

54133 Industrial Drive Fremont, CA 94538 phone 415-701-6580

ACAD FILE: D- x GAME: HOUSE OF DEAD 3 STD SHEET: 2/X
 DATE: 10-24-02 TITLE: WIRING DIAGRAM

4

3

2

1