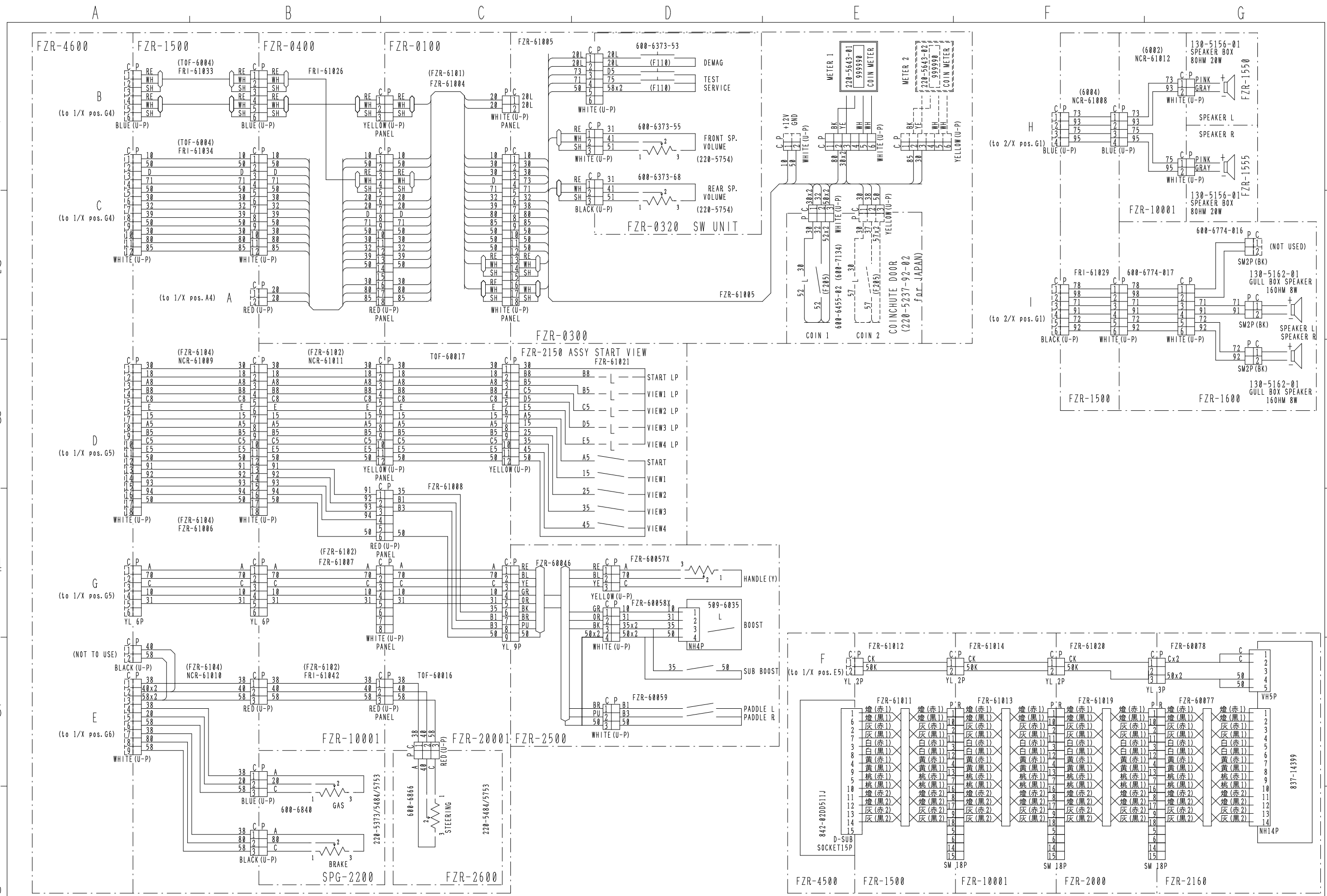


8 BLACK 7 ORANGE 5 WHITE 4 GREEN 3 YELLOW 2 BLUE 1 RED		E LIGHT GREEN D PURPLE C BROWN B SKY BLUE A PINK 9 GRAY		43 EARTH WIRE U ANG15 UL1815 K ANG18 UL1815 L ANG20 UL1807 9 ANG22 UL1807		特定電気用品以外 型式の適用 <b>FZR-00001</b> TOP-ASS'Y		設計 高橋 製図 高橋 検図 小山 承認 小山		<b>SEGA</b> SEGA CORPORATION <b>F-ZERO AX STD</b>		THIS DRAWING WILL IN NO WAY BE COPIED. 許可なく複写 TO BE TURNED ON DEMAND. 複製等厳禁		<b>DGM-0145-01</b> (1/2)	
ALTERATION		WIRE COLOR		TOP-ASS'Y		DESCRIPTION		DIAGRAM NO.							



8	BLACK	E	LIGHT GREEN	43	EARTH WIRE
7	ORANGE	D	PURPLE	U	ANG16 UL1815
5	WHITE	C	BROWN	K	ANG18 UL1815
4	GREEN	B	SKY BLUE	L	ANG28 UL1887
3	YELLOW	A	PINK	9	ANG22 UL1887
2	BLUE		GRAY		
1	RED				

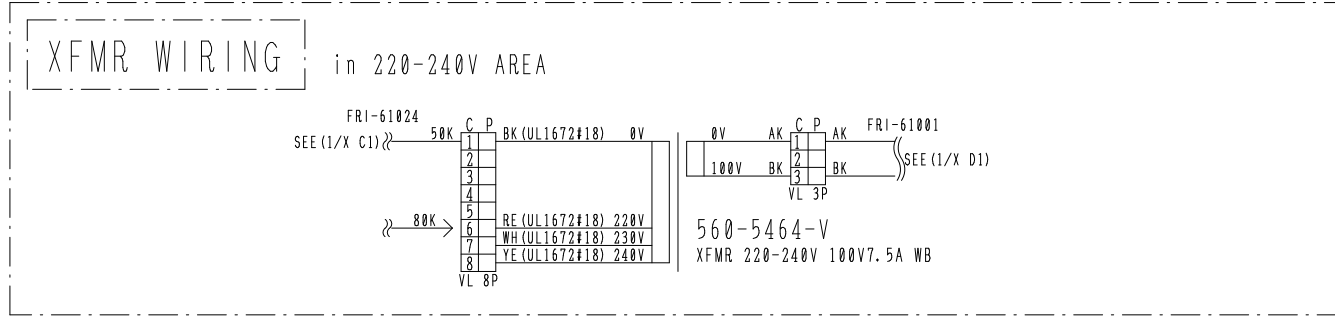
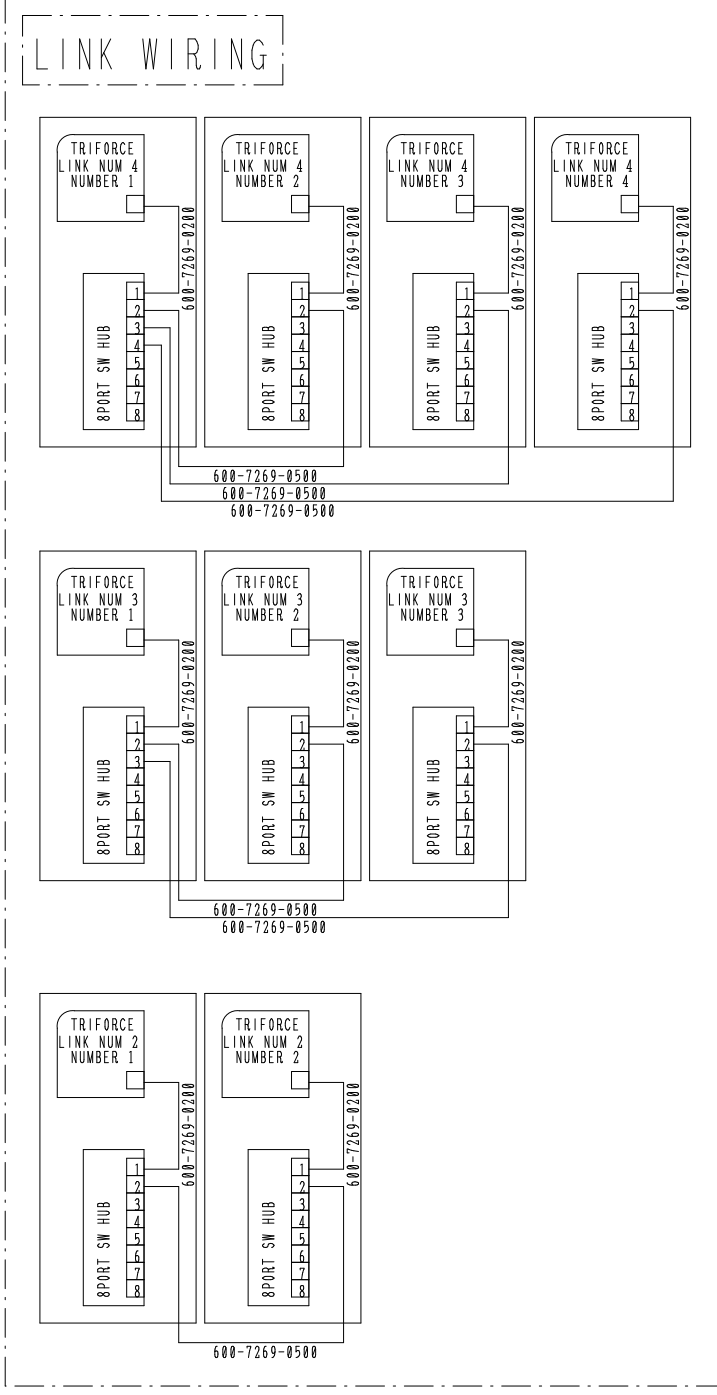
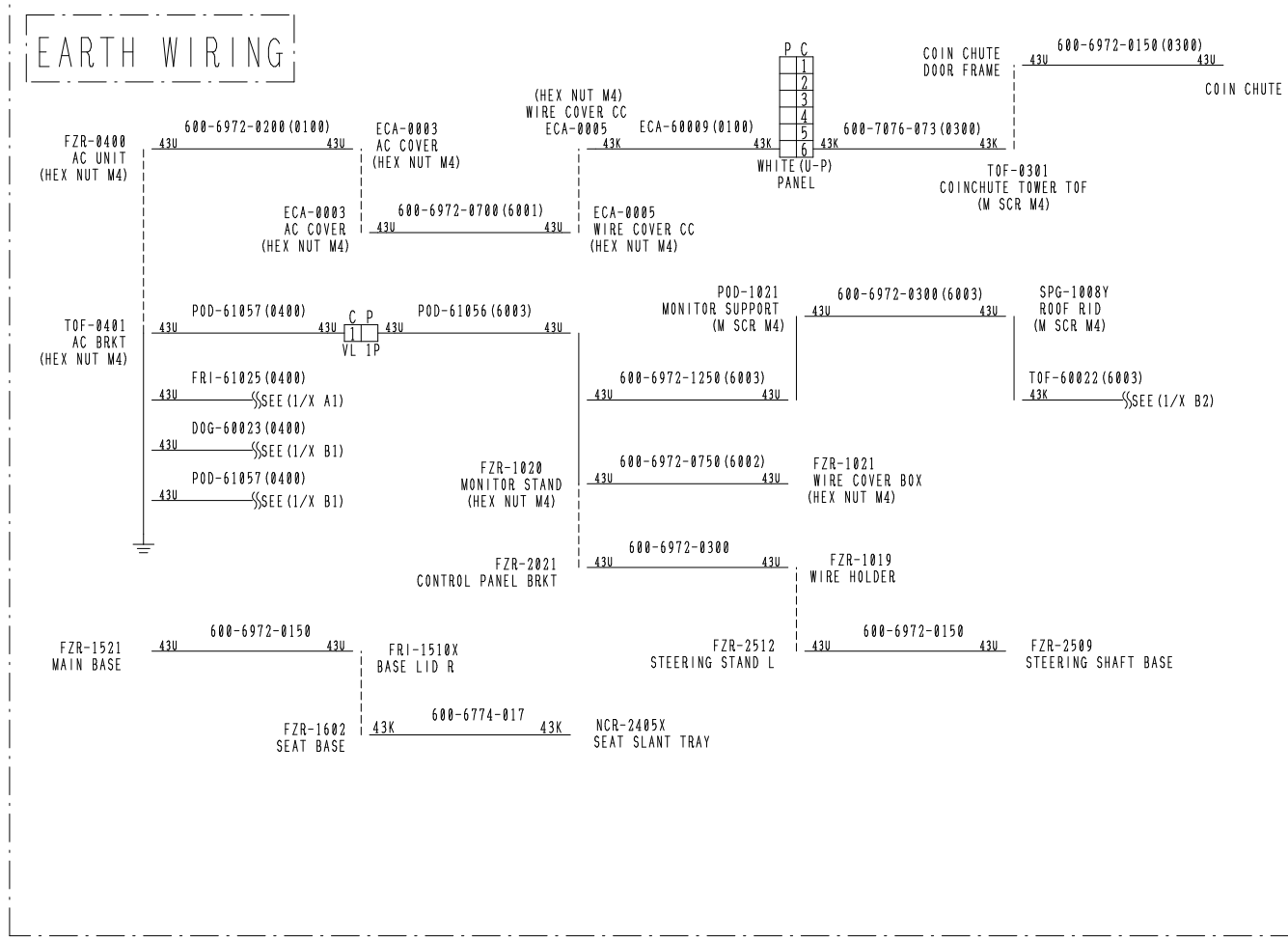
特定電気用品以外			
型式の適用			
FZR-00001			
TOP-ASS'Y			
設計	製図	検図	承認
高橋	高橋	小山	小山
05/30-'03	05/30-'03	05/30-'03	05/30-'03

SEGA SEGA CORPORATION

F-ZERO AX STD

THIS DRAWING WILL IN NO WAY BE COPIED. 許可なく複写 TO BE TURNED ON DEMAND. 複製等厳禁

DGM-0145-01 (2/X)



ALTERATION		WIRE COLOR		TOP-ASS'Y		DESIGN		MANUFACTURE		CHECK		APPROVAL		DESCRIPTION		DIAGRAM NO.	
8	BLACK	E	LIGHT GREEN	43	EARTH WIRE	高橋	高橋	小山	小山	SEGA CORPORATION		THIS DRAWING WILL IN NO WAY BE COPIED.許可なく複写複製等厳禁		F-ZERO AX STD		DGM-0145-01 (3/X)	
7	ORANGE	F	PURPLE		型式の適用	05/30-'03	05/30-'03	05/30-'03	05/30-'03	SEGA CORPORATION		THIS DRAWING WILL IN NO WAY BE COPIED.許可なく複写複製等厳禁		F-ZERO AX STD		DGM-0145-01 (3/X)	
5	WHITE	D	BROWN		FZR-00001					SEGA CORPORATION		THIS DRAWING WILL IN NO WAY BE COPIED.許可なく複写複製等厳禁		F-ZERO AX STD		DGM-0145-01 (3/X)	
4	GREEN	C	SKY BLUE							SEGA CORPORATION		THIS DRAWING WILL IN NO WAY BE COPIED.許可なく複写複製等厳禁		F-ZERO AX STD		DGM-0145-01 (3/X)	
3	YELLOW	B	PINK							SEGA CORPORATION		THIS DRAWING WILL IN NO WAY BE COPIED.許可なく複写複製等厳禁		F-ZERO AX STD		DGM-0145-01 (3/X)	
2	BLUE	A	GRAY							SEGA CORPORATION		THIS DRAWING WILL IN NO WAY BE COPIED.許可なく複写複製等厳禁		F-ZERO AX STD		DGM-0145-01 (3/X)	
1	RED	9								SEGA CORPORATION		THIS DRAWING WILL IN NO WAY BE COPIED.許可なく複写複製等厳禁		F-ZERO AX STD		DGM-0145-01 (3/X)	