

1st PRINTING DEC 99

SEGA

F355 challenge

TWIN TYPE

OWNER'S MANUAL ADDENDUM



SEGA ENTERPRISES, INC. USA

MANUAL NO. 999-0889



Warranty

Your new Sega Product is covered for a period of 90 days from the date of shipment. This certifies that the Printed Circuit Boards, Power Supplies and Monitor are to be free of defects in workmanship or materials under normal operating conditions. This also certifies that all Interactive Control Assemblies are to be free from defects in workmanship and materials under normal operating conditions. No other product in this machine is hereby covered.

Sellers sole liability in the event a warranted part described above fails shall be, at its option, to replace or repair the defective part during the warranty period. For Warranty claims, contact your Sega Distributor.

Should the Seller determine, by inspection that the product was caused by Accident, Misuse, Neglect, Alteration, Improper Repair, Installation or Testing, the warranty offered will be null and void.

Under no circumstances is the Seller responsible for any loss of profits, loss of use, or other damages.

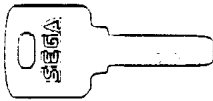
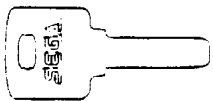
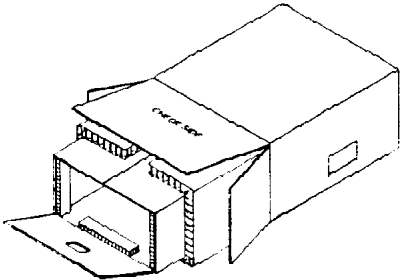
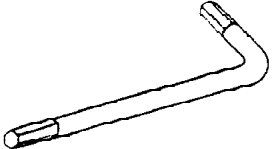
This shall be the exclusive written Warranty of the original purchaser expressed in lieu of all other warranties expressed or implied. Under no circumstance shall it extend beyond the period of time listed above.

THIS PAGE REPLACES PAGES #8 AND #9

5. ACCESSORIES

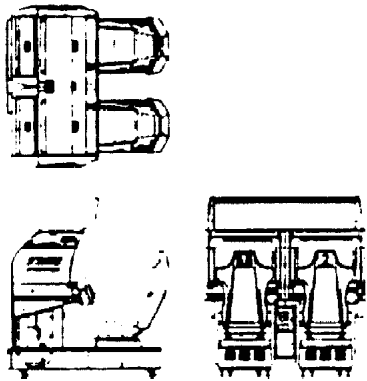
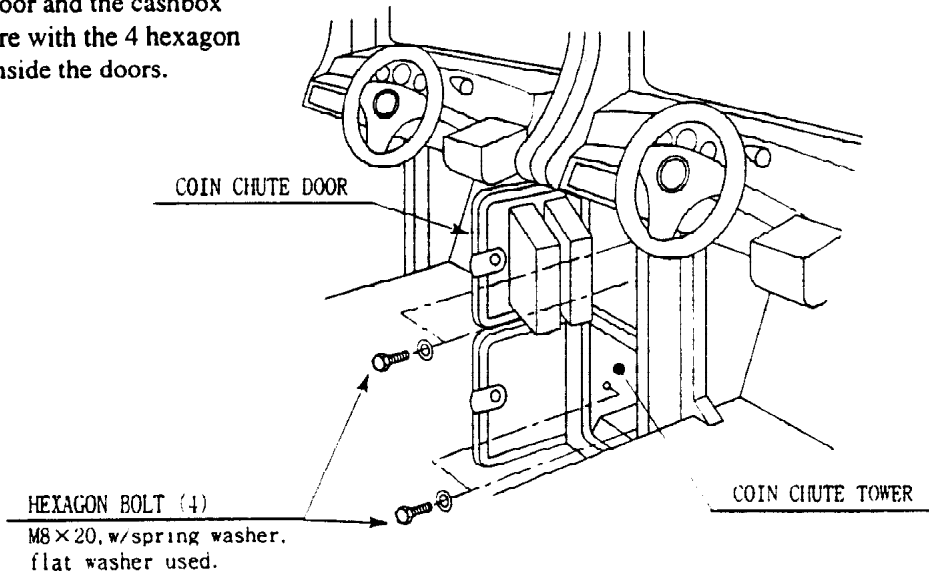
When transporting the machine, make sure that the following parts are supplied.

TABLE 5 ACCESSORIES

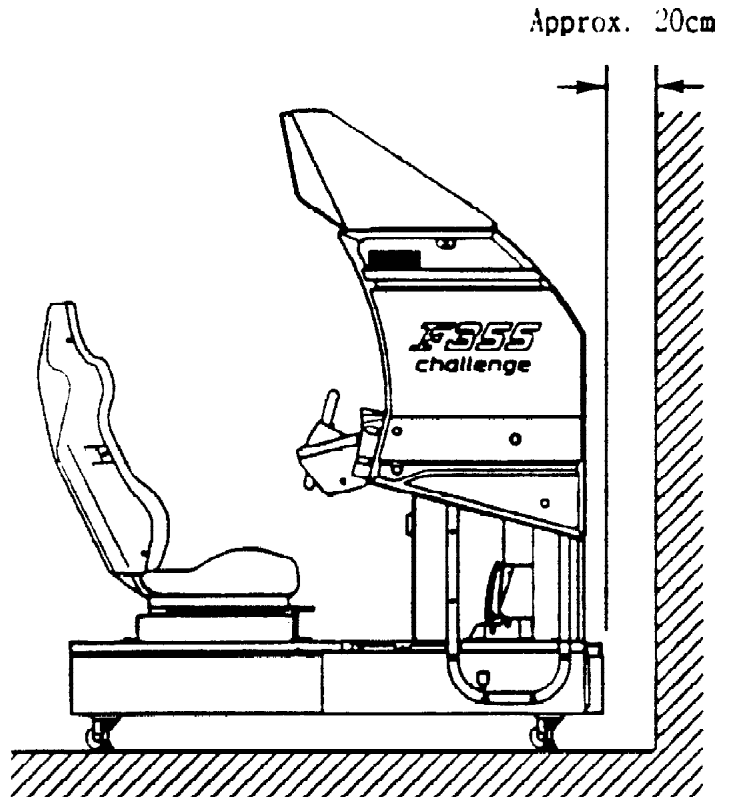
DESCRIPTION	OWNERS MANUAL	KEY MASTER	KEY
Part No. (Qty.)	420 -6507-05 (1)	220-5576 (2)	(2)
Note		For opening/closing the doors	For the CASHBOX DOOR
Figures			
If Part No. has no description, the Number has not been registered or can not be registered. Such a part may not be obtainable even if the customer desires to purchase it. Therefore, ensure that the part is in safekeeping with you.			The Keys are inside the Coin Chute Door at the time of shipment from the factory.
TAMPERPROOF WRENCH M8 540-0009-01 (1) TOOL		CARTON BOX 601-10835 (1) Used for transporting the Game Board. Refer to the following.	
			

THIS PAGE REPLACES PAGES #14 AND #15

- ② Install the coin chute tower in between both cabinets. Open the coin chute door and the cashbox door to secure with the 4 hexagon bolts from inside the doors.



Refer to this Fig. (Scale: 1/100)
for the layout of the place of
installation.



Provide sufficient space so as to
allow for ventilation by the
ventilation fan.

OPTIONAL DOLLAR BILL ACCEPTOR

- THE COIN DOOR ASSEMBLY USED ON F355CHALLENGE TWIN Version COMES EQUIPPED TO ACCEPT A DOLLAR BILL ACCEPTOR. ALL NEEDED WIRING CONNECTIONS ARE CONVIENENTLY LOCATED INSIDE THE GAME FOR THIS APPLICATION.

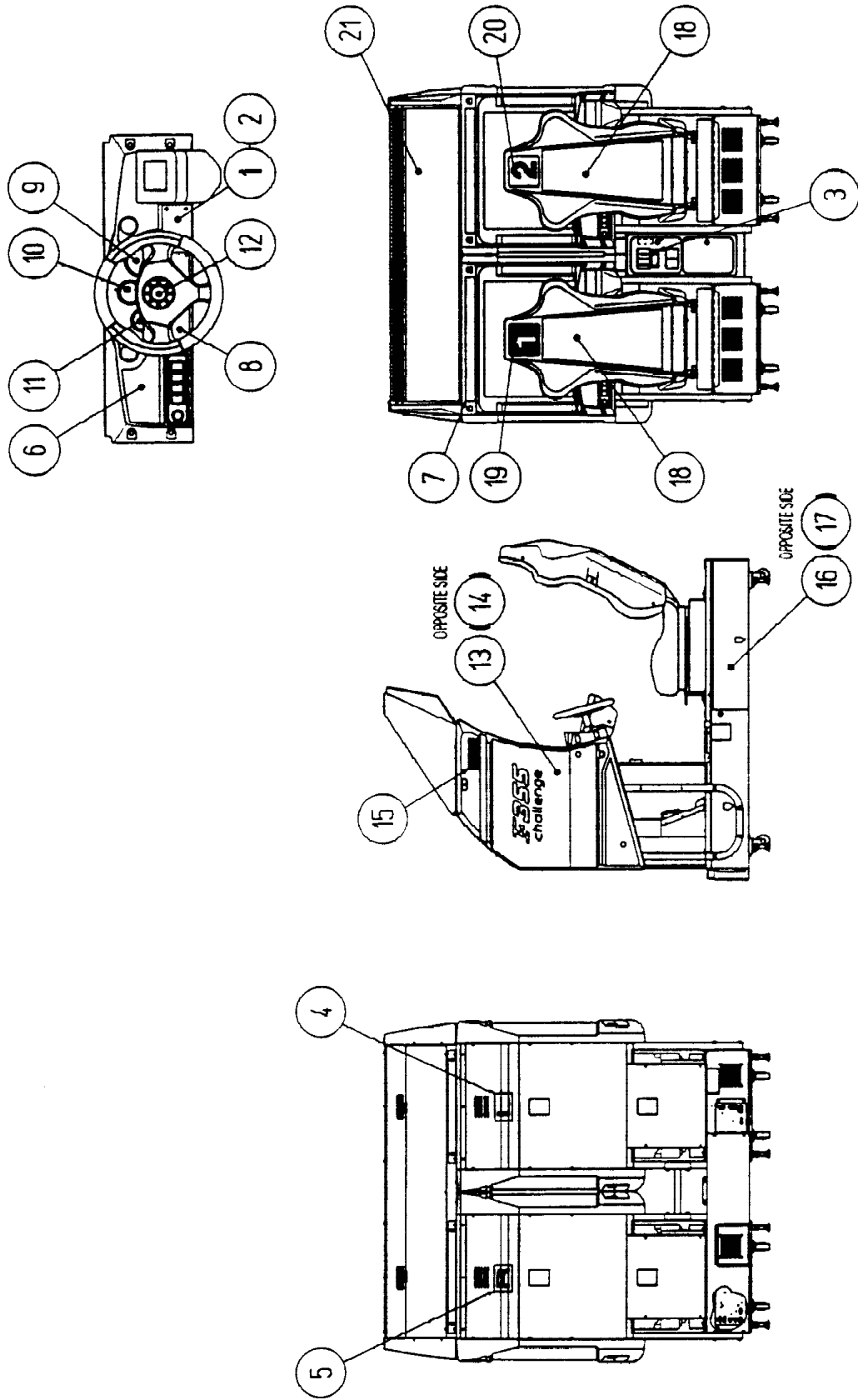
- THE COIN DOOR CAN ACCCOMMODATE THE FOLLOWING VALIDATORS:

HOLE POSITION#1 (FORWARD-MOST POSITION)	Mars 2000 series
HOLE POSITION#2	Mars 2000 series DBV45 (JCM)
HOLE POSITION #3	CURRENTLY NOT USED
HOLE POSITION #4	DSIO1*

*The back flange on the chute can be removed for hold position #4. If the flange is not removed, it may interfere with the back of the cabinet.

The frame and cashbox enclosure on this coindoor has been modified to accomodate a Mars 2000 series upstacker. A 2000 series stacker can be added by simply removing the top two entry door and replacing it with a one entry door with a cut-out for a stacker. This one entry door can be ordered through Coin Controls or one of Coin Controls authorized distributors. The part number is 91-4000-01. The Mars stacker can be obtained through an authorized Mars distibutor.

19. DESIGN RELATED PARTS



19. DESIGN RELATED PARTS

NO.	PART NO.	DESCRIPTION
1	DYN-0011	DENOMI PLATE W/O ORIGINAL
2	421-7308~	DENOMINATION SHEET 1 GAME
3	DYN-0303X	STICKER COIN ENTRY
4	421-8543	STICKER CABINET L
5	421-8544	STICKER CABINET R
6	4220-0787-01	PLAY INSTR SH FRI TWIN ENG
7	4220-0788-01	SUB INSTR SH FRI TWIN ENG
8	SPG-1201-E	METER PANEL
9	DYN-1214-C	DESIGN PL TACO METER TWIN
10	DYN-1214-D	DESIGN PL OIL METER TWIN
11	DYN-1214-E	DESIGN PL WATER METER TWIN
12	FRI-2002	STEERING EMBLEM FRI
13	FRI0-1035-B	STICKER FRI TWIN SIDE L
14	FRI0-1036-B	STICKER FRI TWIN SIDE R
15	421-9749-04	STICKER SEGA LOGO LUMI RED
16	FRI0-1501-B	STICKER BASE FRI TWIN L
17	FRI0-1501-C	STICKER BASE FRI TWIN R
18	FRI0-1601-B	STICKER SEAT FRI TWIN
19	FRI0-1601-C	STICKER NO.1 FRI TWIN
20	FRI0-1601-D	STICKER NO.2 FRI TWIN
21	4230-0337	BILLBOARD PLATE FRI TWIN

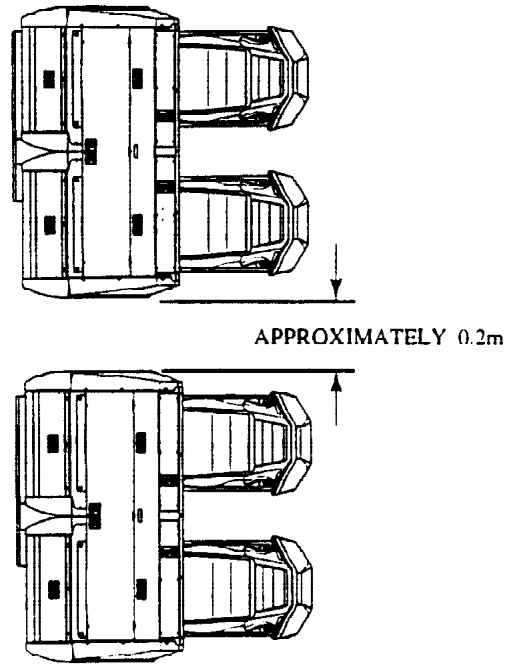
THIS PAGE REPLACES PAGES #81 AND #82

20. COMMUNICATION PLAY

For this game, 4 machines can be connected to allow up to 8 players to play simultaneously.

20 - 1 INSTALLATION PRECAUTIONS

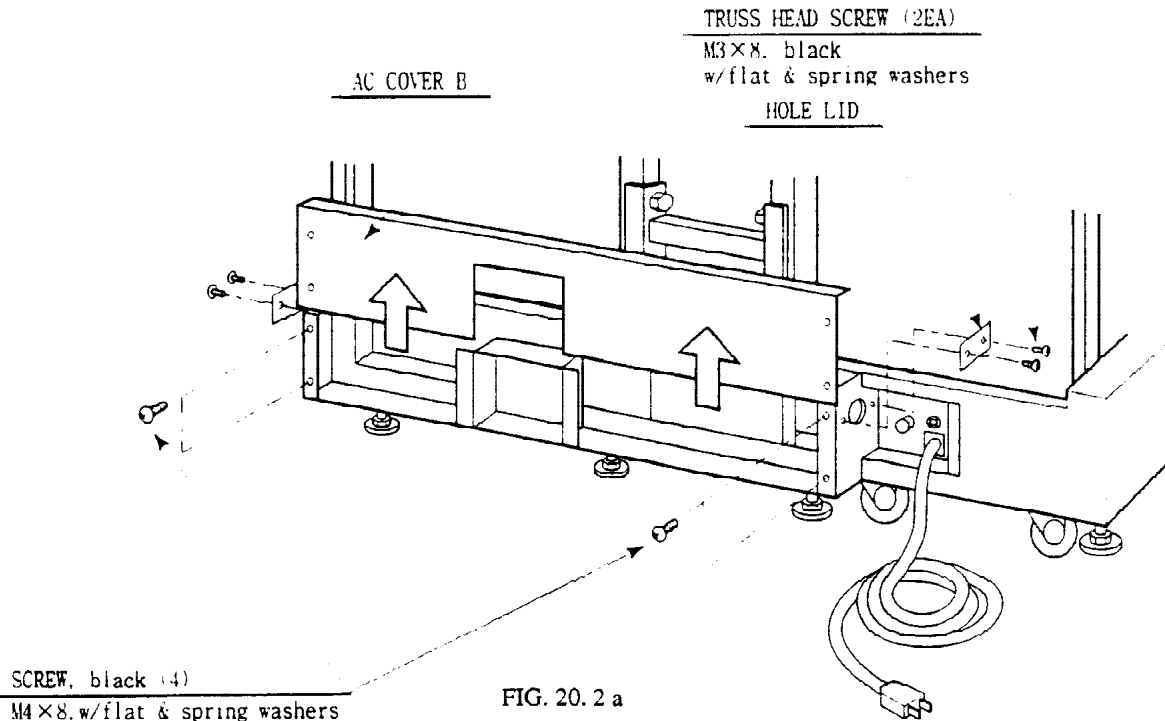
- 1) When linking a number of machines, be sure to supply sufficient power for the corresponding number of machines. The per unit standard voltage/amperage is 100 ~ 120V/10A and 220 ~ 240V/5A.
- 2) Due to the length of the communications cable, the distance in between the machines will be approximately 0.2 meters or less.



20 - 2 CONNECTING THE COMMUNICATION CABLES

Depending on the number of machine units to be linked, connect the communication cables (optic fiber cables) in the manner shown in Figures 20. 2 f and 20. 2 g.

- ① Take off the 4 screws and remove AC COVER B (Fig. 20. 2 a).





SEGA Service Department
45133 Industrial Drive
Fremont, Ca. 94538

<http://www.seuservice.com>
Phone: 415.701.6580
Fax: 415.701.6594

NOTES ON PARTS LIST

THE FOLLOWING PARTS ASSY ARE NOT USED ON THE US CABINET VERSION OF THIS GAME.

- | | | |
|---|-------------------------|-------------|
| ⑥ | AC UNIT MAIN (FRI-0400) | IS NOT USED |
| ⑪ | VM UNIT (FRI-1250) | IS NOT USED |

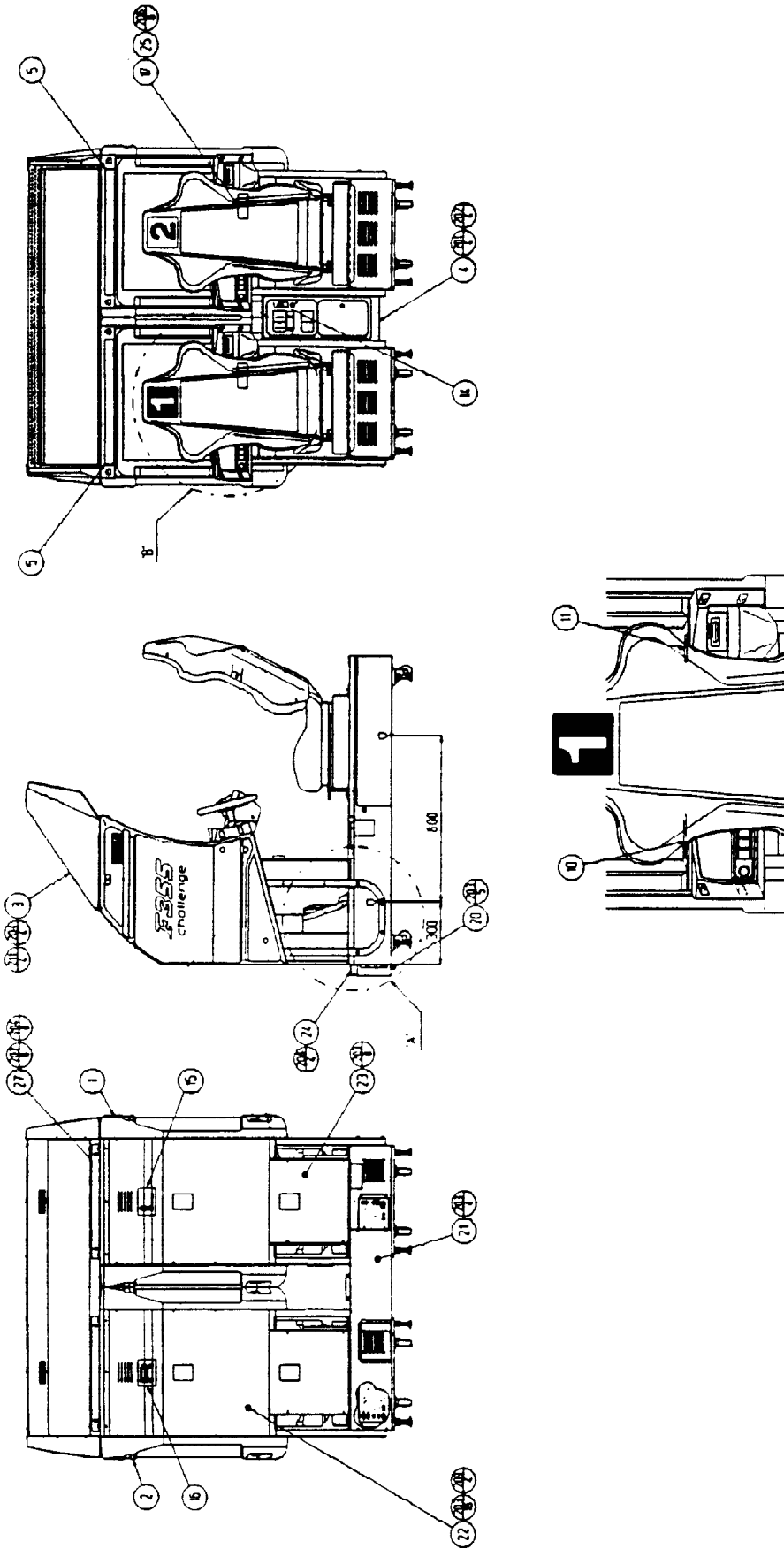
PROVIDED WITHIN THIS ADDENDUM ARE REPLACEMENT PAGES FOR SEVERAL ASSEMBLIES USED ON THE F355 TWIN GAME.

IN ALL CASES WHEN ORDERING PARTS;
PLEASE USE THE UPDATED PAGES CONTAINED WITHIN THE ADDENDUM WHEN POSSIBLE, OTHERWISE REFER TO THE MANUAL AS PRINTED.

If you have any questions please contact the SEGA Service Department at the numbers given above.

21. PARTS LIST

① TOP ASSY FRI TWIN

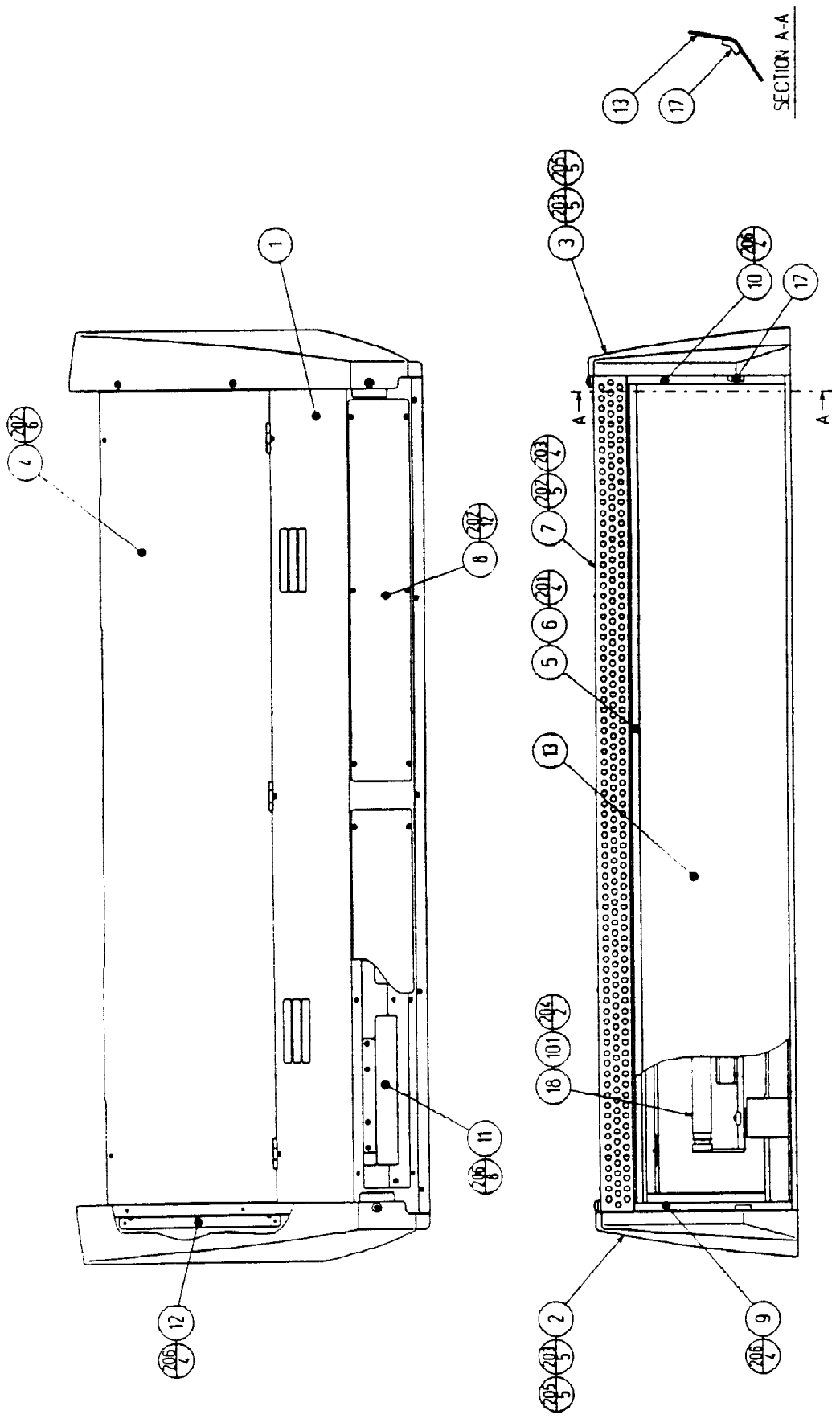


Details of PART 1

① TOP ASSY FRI TWIN

ITEM NO.	PART NO.	DESCRIPTION
1	FRI1-10001	ASSY COCKPIT 1P
2	FRI1-11001	ASSY COCKPIT 2P
3	FRI1-0200	ASSY BILLBOARD
4	FRI1-0300	ASSY COIN CHUTE TOWER
5	422-0788-01	SUB INSTR SH FRI TWIN ENG
15	421-8543	STICKER CABINET L
16	421-8544	STICKER CABINET R
17	421-7308~	DENOMINATION SH 1 GAME
20	SPG-0006X	AC COVER A
21	DYN-0006X	AC COVER B
22	INY-0004	BACK LID INY
23	DYN-0008	BACK LID B
24	DYN-0009	HOLE LID
25	DYN-0011	DENOMI PLATE W/O ORIGINAL
27	SPG-0008	BILLBOARD HOLDER
201	030-000820-S	HEX BLT W/S M8X20
202	068-852216-B	FLT WSHR BLK 8.5-22X1.6
203	000-P00408-WB	M SCR PH W/FS BLK M4X8
204	030-000825-SB	HEX BLT W/S BLK M8X25
205	060-F00800-0B	FLT WSHR BLK M8
206	000-T00415-0C	M SCR TH CRM M4X16
207	000-T00512-0B	M SCR TH BLK M5X12
208	000-P00308-WB	M SCR PH W/FS BLK M3X8
209	010-P00408-0B	S-TITE SCR PH W/FS
210	008-T00412-0B	TMP PRF SCR TH BLK M4X12
211	SLC-0006	FLAT WASHER 8.4-25X2
212	050-H00400	HEX NUT M4
213	060-F00400	FLT WSHR M4
214	060-S00400	SPR WSHR M4

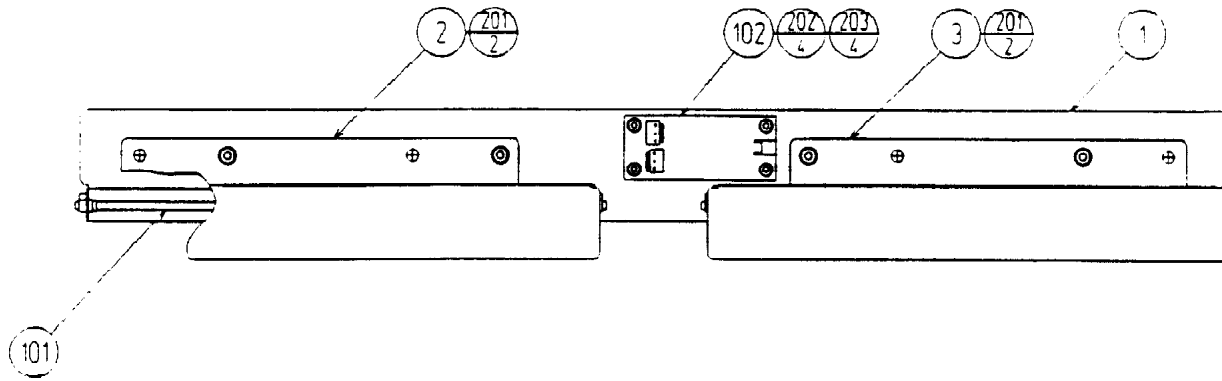
② ASSY BILLBOARD (FR11-0200)



② ASSY BILLBOARD (FRI10-0200)

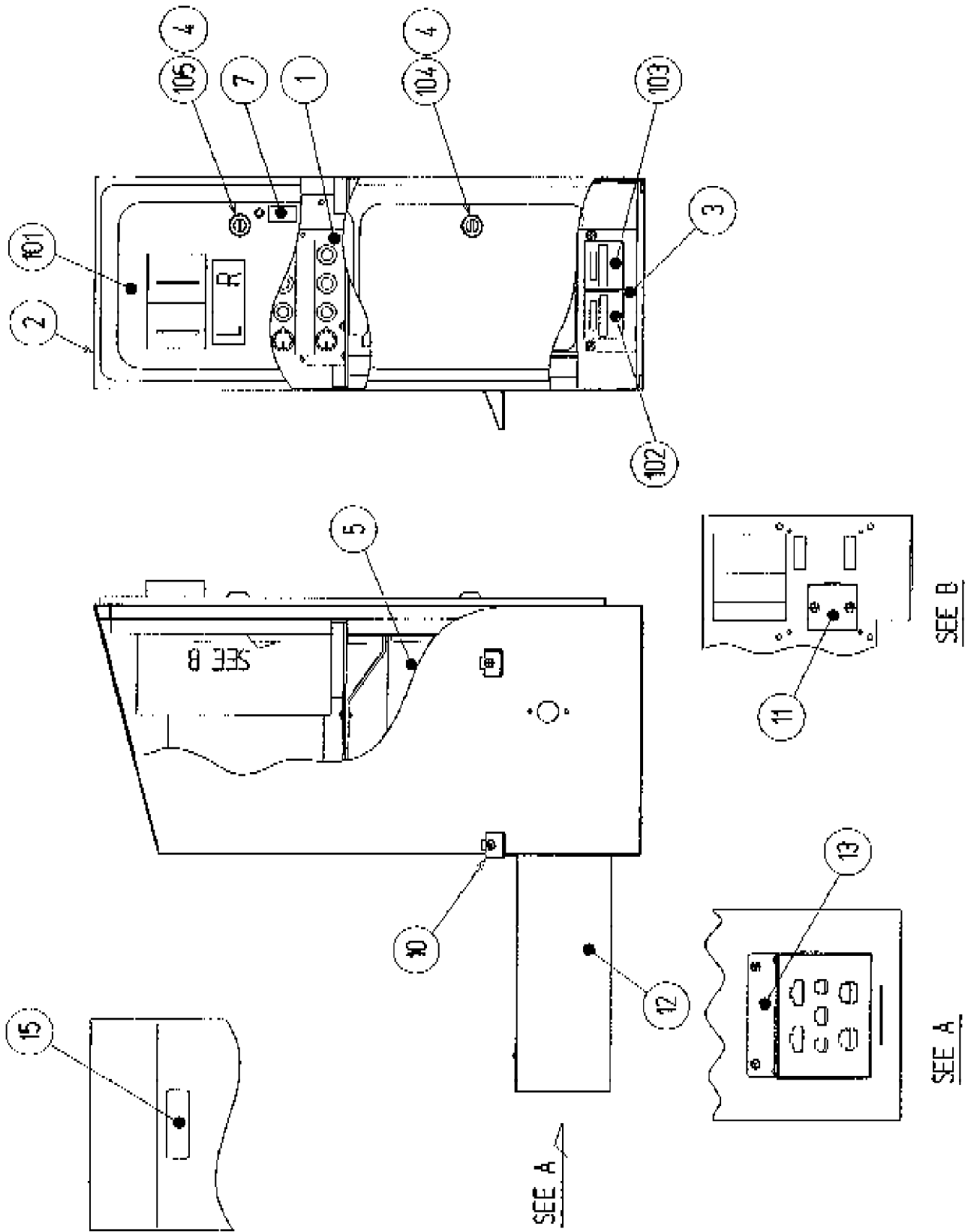
ITEM NO.	PART NO.	DESCRIPTION
1	FRI-0201	BILLBOARD BOX
2	FRI-0202	SIDE COVER L
3	FRI-0203	SIDE COVER R
4	FRI-0204	BILLBOARD LID
5	FRI-0205	UPPER SASH
6	FRI-0206	LIGHT PLATE
7	FRI-0207	UPPER COVER
8	FRI0-0208	UPPER LID
9	FRI-0209	SIDE SASH L
10	FRI-0210	SIDE SASH R
11	FRI1-0220	ASSY LIGHT
12	VOT-0208	SIDE COVER BRKT
13	423-0337	BILLBOARD PLATE FRI TWIN
17	FRI-0211	CUSHION SPONGE 40
18	253-5457	FL HOLDER
101	LOCAL PURCHASE	ASSY FL40W
201	000-F00410	M SCR FH M4X10
202	000-T00408-0B	M SCR TH BLK M4X8
203	000-T00412-0B	M SCR TH BLK M4X12
204	000-P00430-W	M SCR PH W/FS M4X30
205	068-441616-0B	FLT WSHR BLK 4.4-16X1.6
206	000-P00408-W	M SCR PH W/FS M4X8
207	050-H00400	HEX NUT M4
208	060-F00400	FLT WSHR M4
209	060-S00400	SPR WSHR M4

③ ASSY LIGHT (FRI1-0220)



ITEM NO.	PART NO.	DESCRIPTION
1	FRI-0221	HOLDER
2	FRI-0222	HOLDER PLATE A
3	FRI-0223	HOLDER PLATE B
101	LOCAL PURCHASE	ROPE LIGHT**
201	050-FOO400	FLG NUT M4
202	050-U00300	U NUT M3
203	060-F00300	FLT WSHR M3

④ ASSY COINCHUTE TOWER (FR11-0300)



④ ASSY COINCHUTE TOWER (FRI1-0300)

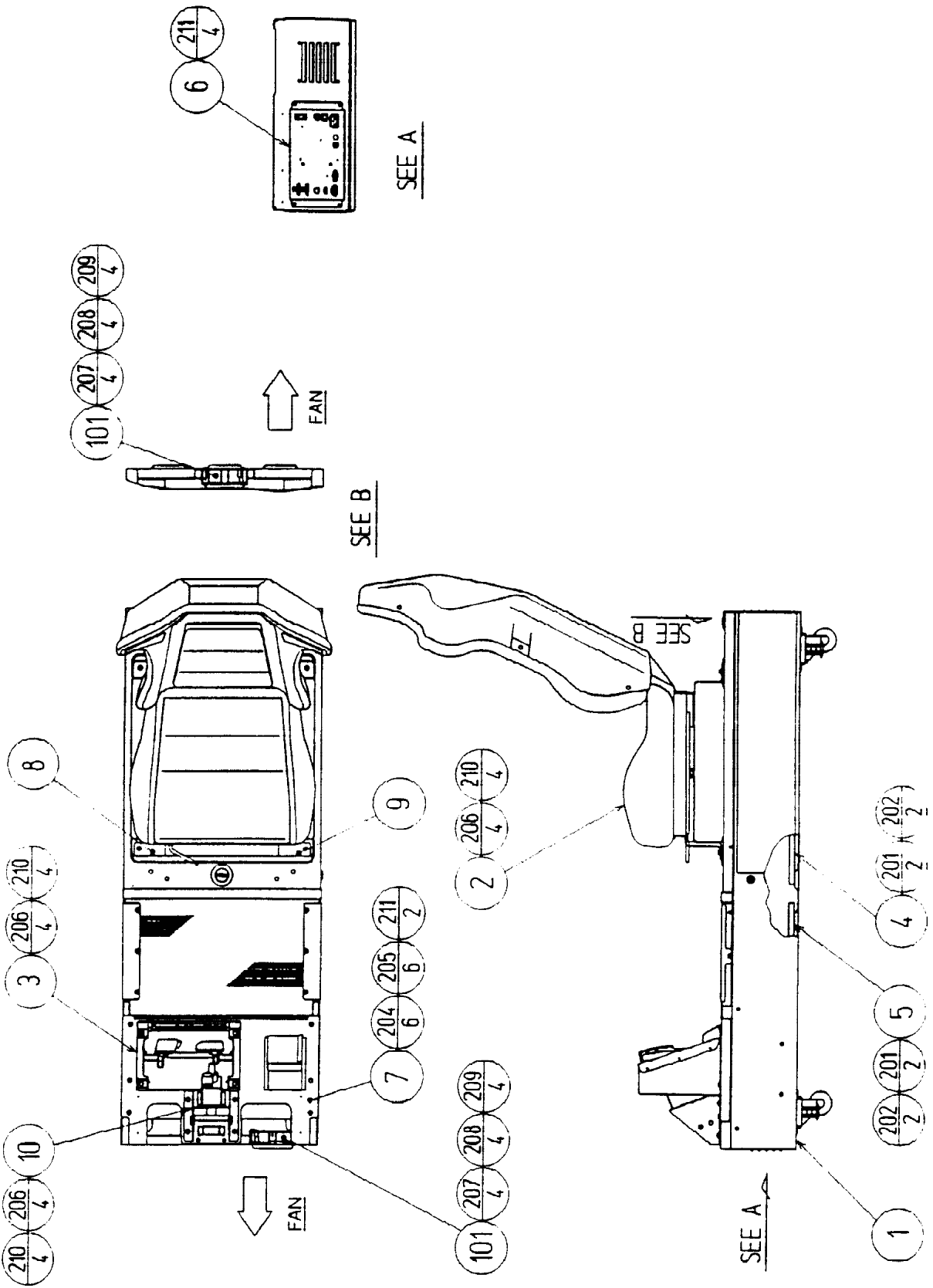
ITEM NO.	PART NO.	DESCRIPTION
1	FRI-0350	SW UNIT
2	SPG-0301	COIN CHUTE TOWER
3	DRT-0301	COIN METER BRKT
4	DP-1167	TNG LKG
5	BOX-CASH	CASH CASH
9	DYN-0305	TOWER BRKT
10	105-5202	HOLE COVER
11	SPG-0302	WIRE BOX
12	SPG-0303	WIRE BOX LID
101	220-5237	ASSY CC 2 DOOR
102	220-5643-01	MAG CNTR DC5V 6P WH MZ-674-D04
103	220-5643-02	MAG CNTR DC5V 6P YE MZ-674-D05
104	220-5574	CAM LOCK W/KEYS
105	220-5575	CAM LOCK W/O KEY
110	601-6231-C045	EDGING NEW TYPE
201	000-P00412-W	M SCR PH W/FS M4X12
202	000-T00408-0B	M SCR TH BLK M4X8
203	010-P00408-F	S-TITE SCR PH W/F M4X8

⑰ ASSY SEAT TWIN * (FR11-160C
 * (FR11-170C

ITEM NO.	PART NO.	DESCRIPTION
1	STC-1650	ASSY WOOFER
2	DRT-1602-A	UPPER SEAT
3	DRT-1603-A	LOWER SEAT
4	STC-2201	SEAT BASE
5	STC-1604	SEAT FRAME
6	FRI-1601-A	SEAT REAR COVER BLANK
7	STC-1606X	SEAT MOUNT TRAY
8	STC-1607	SP MOUNT BRKT
9	STC-1608	SPEAKER NET L
10	STC-1609	SPEAKER NET R
11	STC-1610	SAFETY GUARD
12	STC-1611	CABLE BEAR BRKT
13	STC-1612	PROTECT RUBBER
14	STC-1613	SAFETY GUARD F
15	INY-1302-B	MASK CUSHION SIDE
101	601-9059-91	SEAT RAIL L
102	601-9060-91	SEAT RAIL R
103	130-5159	GULL BOX SPEAKER 8OHM 5W
105	601-6563-188	BUSH 2.4T
106	601-6563-100	BUSH 2.4T
107	280-5297	SCRIVET 8 1K31
201	000-P00410-W	M SC RPH W/FS M4X10
202	030-000845-S	HEX BLT W/S M8X45
203	030-000816-S	HEX BLT W/S M8X16
204	000-T00408-0B	M SCR TH BLK M4X8
205	050-H00800	HEX NUT M8
206	060-S00800	SPR WSHR M8
207	068-852216	FLT WSHR 8.5-22X1.6
208	012-P00412	TAP SCR #2 PH 4X12
209	060-F00400	FLT WSHR M4
210	000-T00616-0B	M SCR TH BLK M6X16
212	060-F01000	FLT WSHR M10

②① ASSY MAIN BASE (FR11-20001)
 *(FR11-21001)

* USE PARTS LIST PROVIDED ON NEXT PAGE
 WHEN ORDERING REPLACEMENT PARTS FOR
 EITHER ASSY.



SEE A

SEE B

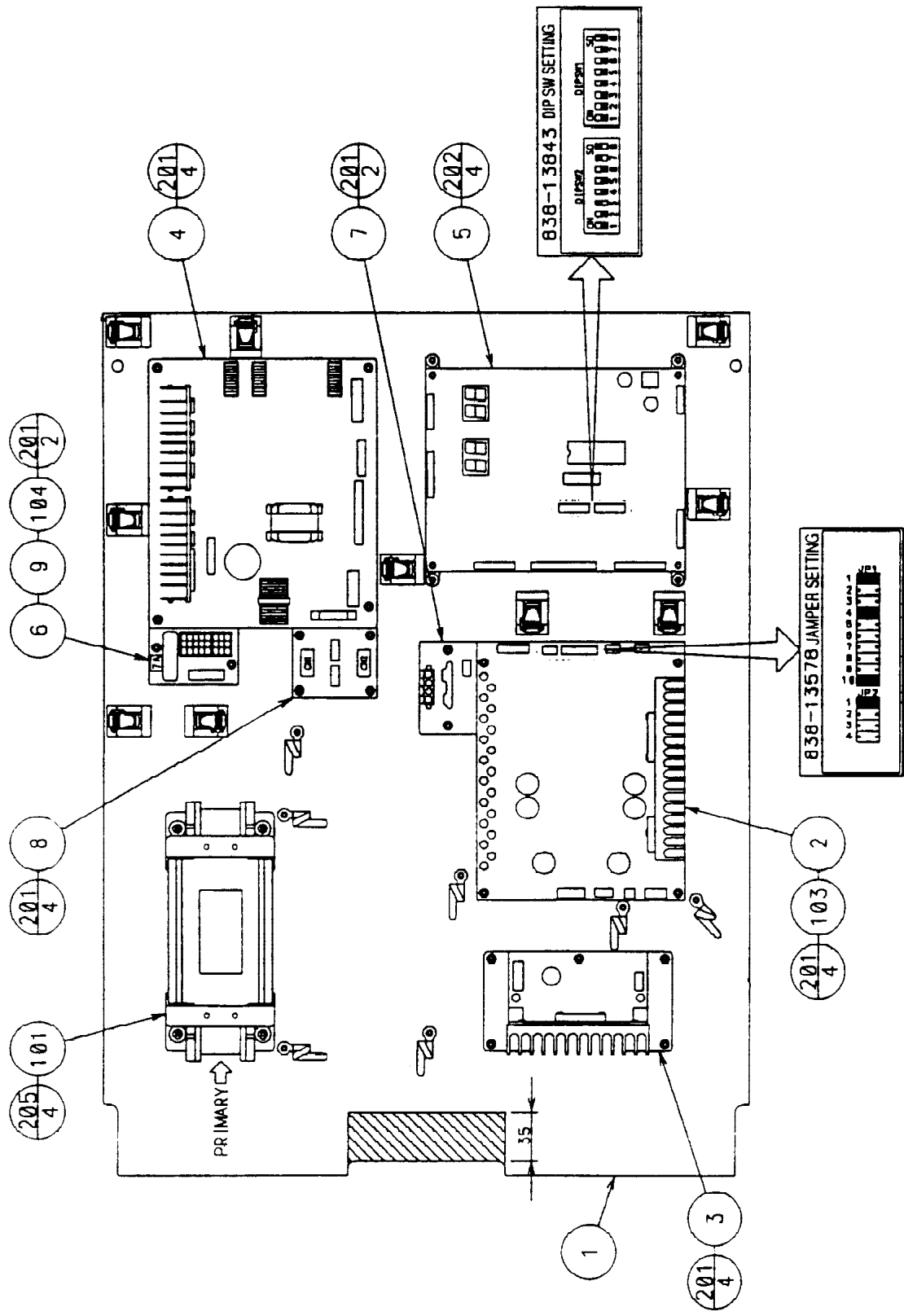
SEE A

SEE B

② ASSY MAIN BASE ^{*}(FR11-20001)
^{*}(FR11-21001)

ITEM NO.	PART NO.	DESCRIPTION
1	FRI-1500	ASSY BASE BOX
2	FRI1-1600	ASSY SEAT TWIN 1P
	FRI1-1700	ASSY SEAT TWIN 2P
3	FRI-2250	ASSY ACCEL AND BRAKE
4	FRI-4500	ASSY MAIN BD BASE
5	FRI1-4600	ASSY ELEC BASE
6	FRI-0400	AC UNIT MAIN
7	FRI-1502	PEDAL BASE FRI
8	RAL-2007	RUBBER HOLDER R TWIN
9	RAL-2008	RUBBER HOLDER L TWIN
10	FRI-2350	ABSORBER UNIT TWIN
101	260-0011-02	AXIAL FLOW FAN AC 100V 50-60HZ
102	600-6275-0150	ASSY FIBER CABLE 5 0150CM
201	000-P00425-W	M SCR PH W/FS M4X25
202	068-441616	FLT WSHR 4.4-16X1.6
203	050-F00500	FLG NUT M5
204	030-000616-SB	HEX BLT W/S BLK M6X16
205	060-F00600-0B	FLT WSHR BLK M6
206	060-F00800-0B	FLT WSHR BLK M8
207	000-P00350	M SCR PH M3X50
208	060-S00300	SPR WSHR M3
209	060-F00300	FLT WSHR M3
210	030-P00408-WB	HEX BLT W/S BLK M8X25
211	000-P00408-WB	M SCR PH W/FS BLK M4X8

25 ASSY ELEC BASE (FR11-4600)



25 ASSY ELEC BASE (FRI1-4600)

ITEM NO.	PART NO.	DESCRIPTION
1	FRI-4601	WOODEN BASE ELEC
2	838-13578	PWR AMP 2CH & MIXER
3	838-11651-01	LOWPASS AMP W/LARGE HEAT SINK
4	838-121912-01	SERVO MOTOR DRIVE BD NEW
5	838-13843	DRIVE BD FRI
6	838-11856-01-UL	CONNECT BD W/FUSE & COVER UL
7	839-1148	4A DC SSR BD NH4P
8	839-1151	CAPACITOR BD
101	560-5434-V	XFMR 100-120V 100V7 5A
103	211-5305	C JMPR SCKT (IMSA-9206H-GF)
104	514-5036-7000	FUSE 6.4X30 7000MA 125V
201	011-T00325	TAP SCR TH 3X25
202	011-T00316	TAP SCR TH 3X16
203	011-T03512	TAP SCR TH 3.5X12
204	011-F00310	TAP SCR FH 3X10
205	000-P00512-W	M SCR PH W/FS M5X12
206	000-P00412-W	M SCR PH W/FS M4X12

VISIT OUR ARCADE WEBSITE!



VISIT OUR ARCADE SERVICE SITE FOR THE LATEST SERVICE TIPS AND UPDATES!

NetScape: SEGA SERVICE HOMEPAGE

Location: <http://www.segaservice.com/> What's Related

Home | SUNFUR - Official | Star's EarthLink | My Yahoo! news

SEGA SERVICE

[WHAT'S NEW](#)
[MANUALS](#)
[BULLETINS](#)
[PART NUMBERS](#)
[GAME MONITORS](#)
[BOARD SYSTEMS](#)
[MAILING LIST](#)
[SEGA DISTRIBUTORS](#)
[SERVICE STAFF](#)
[DAIL'S OFFICE](#)
[HOME](#)

[\[TZK COMPLIANCE\]](#)

Sega Enterprises Inc., USA
Service Department
Phone: (415) 761-6560
Fax: (415) 761-6564

12/2/99
7:56 A.M.
Sun World web



[\[What's new\]](#) [\[Manuals\]](#) [\[Bulletins\]](#) [\[Part Numbers\]](#) [\[Game Monitors\]](#)
[\[Board Systems\]](#) [\[Mailing List\]](#) [\[SEGA Distribution\]](#) [\[Service Staff/Dail's Office\]](#)

Coin-Op Links:

[Star Tech Journal](#)
[Amusement Industry Mags Site](#)

If you have any questions about this Home Page please E-Mail to:
dari.darvinea@sega.com
OR
kazu.raybald@sega.com

A total of **22153** people have accessed this page.

Get Acrobat Reader | Powered By FileMaker | Mac OS | WebSite

THIS WEB SITE POWERED BY **WebSTAR 3**



SEGA ENTERPRISES, INC. (USA)

45133 Industrial Drive
Fremont, CA 94538
(415) 701-6580 phone
(415) 701-6594 fax